

**WOLONG**  
*Power your future*



# Energy Saver SD Close Coupled Pump Motors

Severe-Duty NEMA B  
3 Phase, 50/60 Hz  
208-230 / 460 V  
1 - 75 HP

# NEMA B Motors

## JP and JM Mounting Designs

Wolong closed coupled motors are used in challenging pumping, fluid handling, and food processing applications. These motors easily handle loads in harsh environments found in the aggregate, cement, petrochem, pulp/paper, and food industries.

These motors feature aluminum or heavy-duty cast iron frames, endshields, and conduit boxes, heavy gauge steel fan covers, and non-sparking fans.

### Benefits

- High efficiency for low running costs
- Low noise levels
- High torque with smooth acceleration and low current
- 3 year warranty



## Key Features

<b>NEMA Frames</b>	143 - 365
<b>Poles</b>	2, 4
<b>Horsepower Range</b>	1 - 75
<b>Voltage</b>	208-230/460
<b>Agency Approvals</b>	CSA
<b>Altitude</b>	3300 ft
<b>Maximum Ambient</b>	40°C @ 1.25SF @ 60Hz
<b>Bearing Type</b>	Deep Groove Ball Bearings
<b>Conduit Box Rotation</b>	90 degree increments
<b>Div 2 Temp Codes</b>	Division 2 Class I Groups A, B, C, D, Zone 2; Groups IIA & IIB T3 with VFD
<b>Efficiency</b>	NEMA Premium
<b>Enclosure</b>	TEFC, IP55
<b>Field Modifiable to F2</b>	Yes with repositional feet
<b>Frequency</b>	50/60Hz or Variable on PWM drive
<b>Insulation</b>	Class F, Class B Temperature Rise, Non-Hygroscopic, and Anti-Fungus

<b>Inverter Capabilities</b>	NEMA MG1 Part 31 VFD 5:1 Constant Torque 20:1 Variable Torque
<b>Lifting</b>	Eyebolt
<b>Material * 40+ HP</b>	Conduit Box: Aluminum, Cast Iron* Endshield: Aluminum, Cast Iron* Fan: Non-Sparking Fan Cover: Heavy Gauge Steel Frame: Aluminum, Cast Iron*
<b>Mounting</b>	Horizontal Foot Mounted / C-Face
<b>Mounting Holes</b>	Dual drilled for multiple mounting
<b>NEMA Design</b>	B
<b>Service Factor</b>	1.25 @ 60Hz, 1.0 @ 50Hz
<b>Shaft</b>	45# steel
<b>Sound Power</b>	NEMA MG1 Part 9
<b>Tests</b>	NEMA Routine
<b>Vibration</b>	NEMA Grade A
<b>Winding Temp. Rise</b>	Class B @ 1.0SF

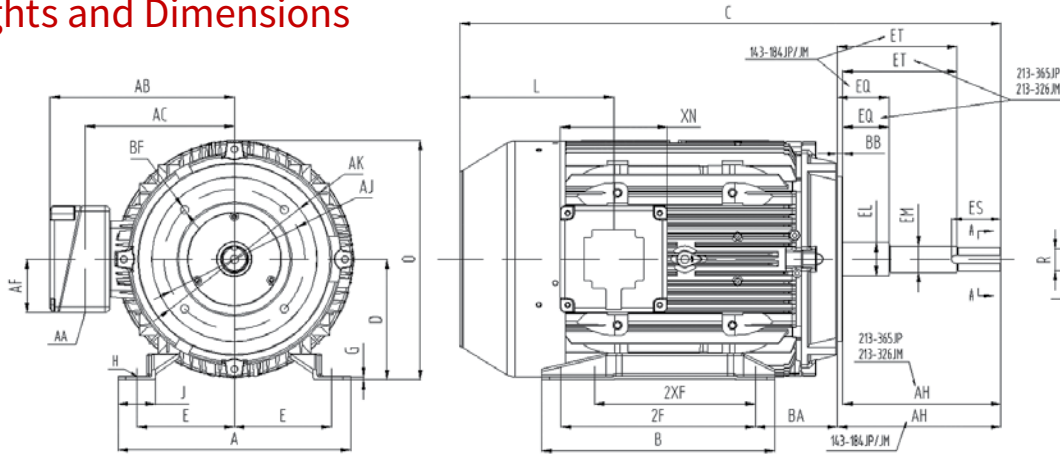
## ▼ Ratings



NEMA B (IP55)			JM Mounting			JP Mounting		
HP	RPM	Volts	Frame	Cat. No.	Model No.	Frame	Cat. No.	Model No.
1	3600	208-230/460	143JM	<b>WV229</b>	5KS143KVV110	143JP	<b>WV329</b>	5KS143KVV111
1	1800	208-230/460	143JM	<b>WV200</b>	5KS143KVV203	143JP	<b>WV300</b>	5KS143KVV209
1.5	3600	208-230/460	143JM	<b>WV201</b>	5KS143KVV103	143JP	<b>WV301</b>	5KS143KVV109
1.5	1800	208-230/460	145JM	<b>WV202</b>	5KS145KVV202	145JP	<b>WV302</b>	5KS145KVV207
2	3600	208-230/460	145JM	<b>WV203</b>	5KS145KVV103	145JP	<b>WV303</b>	5KS145KVV109
2	1800	208-230/460	145JM	<b>WV204</b>	5KS145KVV203	145JP	<b>WV304</b>	5KS145KVV209
3	3600	208-230/460	182JM	<b>WV205</b>	5KS182KVV103	182JP	<b>WV305</b>	5KS182KVV109
3	1800	208-230/460	182JM	<b>WV206</b>	5KS182KVV203	182JP	<b>WV306</b>	5KS182KVV209
5	3600	208-230/460	184JM	<b>WV207</b>	5KS184KVV103	184JP	<b>WV307</b>	5KS184KVV109
5	1800	208-230/460	184JM	<b>WV208</b>	5KS184KVV203	184JP	<b>WV308</b>	5KS184KVV209
7.5	3600	208-230/460	213JM	<b>WV209</b>	5KS213KVV103	213JP	<b>WV309</b>	5KS213KVV109
7.5	1800	208-230/460	213JM	<b>WV210</b>	5KS213KVV203	213JP	<b>WV310</b>	5KS213KVV209
10	3600	208-230/460	215JM	<b>WV211</b>	5KS215KVV103	215JP	<b>WV311</b>	5KS215KVV109
10	1800	208-230/460	215JM	<b>WV212</b>	5KS215KVV203	215JP	<b>WV312</b>	5KS215KVV209
15	3600	208-230/460	254JM	<b>WV213</b>	5KS254KVV103	254JP	<b>WV313</b>	5KS254KVV109
15	1800	208-230/460	254JM	<b>WV214</b>	5KS254KVV203	254JP	<b>WV314</b>	5KS254KVV209
20	3600	208-230/460	256JM	<b>WV215</b>	5KS256KVV103	256JP	<b>WV315</b>	5KS256KVV109
20	1800	208-230/460	256JM	<b>WV216</b>	5KS256KVV203	256JP	<b>WV316</b>	5KS256KVV209
25	3600	208-230/460	284JM	<b>WV217</b>	5KS284KVV113	284JP	<b>WV317</b>	5KS284KVV119
25	1800	208-230/460	284JM	<b>WV218</b>	5KS284KVV203	284JP	<b>WV318</b>	5KS284KVV209
30	3600	208-230/460	286JM	<b>WV219</b>	5KS286KVV113	286JP	<b>WV319</b>	5KS286KVV119
30	1800	208-230/460	286JM	<b>WV220</b>	5KS286KVV203	286JP	<b>WV320</b>	5KS286KVV209
40	3600	208-230/460	324JM	<b>WV221</b>	5KS324KWC113	324JP	<b>WV321</b>	5KS324KWC119
40	1800	208-230/460	324JM	<b>WV222</b>	5KS324KWC203	324JP	<b>WV322</b>	5KS324KWC209
50	3600	208-230/460	326JM	<b>WV223</b>	5KS326KWC113	326JP	<b>WV323</b>	5KS326KWC119
50	1800	208-230/460	326JM	<b>WV224</b>	5KS326KWC203	326JP	<b>WV324</b>	5KS326KWC209
60	3600	208-230/460	364JM	<b>WV225</b>	5KS364KWC113	364JP	<b>WV325</b>	5KS364KWC119
60	1800	208-230/460	364JM	<b>WV226</b>	5KS364KWC203	364JP	<b>WV326</b>	5KS364KWC209
75	3600	200-230/460	365JM	<b>WV227</b>	5KS365KWC113	365JP	<b>WV327</b>	5KS365KWC119
75	1800	200-230/460	365JM	<b>WV228</b>	5KS365KWC203	365JP	<b>WV328</b>	5KS365KWC209



# Weights and Dimensions



Frame	Wgt	JM/JP Dimensions in Inches - Mounting										
		E	2XF	2F	BA	U	R	M	AK	AJ	BF	BB
143	40	2.755	3.975	4.96	2.39	0.874	0.768	UNC 3/8-16	4.500	5.875	UNC 3/8-16	0.134
145	42	2.755	3.975	4.96	2.39	0.874	0.768	UNC 3/8-16	4.500	5.875	UNC 3/8-16	0.134
145	42	2.755	3.975	4.96	2.39	0.874	0.768	UNC 3/8-16	4.500	5.875	UNC 3/8-16	0.134
182	90	3.740	4.510	5.51	2.83	0.874	0.768	UNC 3/8-16	4.500	5.875	UNC 3/8-16	0.158
184	102	3.740	4.510	5.51	2.83	0.874	0.768	UNC 3/8-16	4.500	5.875	UNC 3/8-16	0.158
213	130	4.250	/	5.51	3.54	0.874	0.768	UNC 3/8-16	8.500	7.250	UNC 1/2-13	0.250
215	150	4.250	/	7.01	3.54	0.874	0.768	UNC 3/8-16	8.500	7.250	UNC 1/2-13	0.250
254	280	5.000	8.270	10.00	4.23	1.249	1.106	UNC 1/2-13	8.500	7.248	UNC 1/2-13	0.276
256	280	5.000	8.270	10.00	4.23	1.249	1.106	UNC 1/2-13	8.500	7.248	UNC 1/2-13	0.276
284	315	5.490	9.490	10.98	4.74	1.249	1.106	UNC 1/2-13	12.438	11.000	UNC 5/8-11	0.276
286S	368	5.490	9.490	10.98	4.74	1.249	1.106	UNC 1/2-13	12.438	11.000	UNC 5/8-11	0.276
286	368	5.490	9.490	10.98	4.74	1.249	1.106	UNC 1/2-13	12.438	11.000	UNC 5/8-11	0.276
324	650	6.250	/	10.50	5.25	1.249	1.106	UNC 1/2-13	12.500	11.000	UNC 5/8-11	0.281
326	750	6.250	/	12.00	5.25	1.249	1.106	UNC 1/2-13	12.500	11.000	UNC 5/8-11	0.281
364	1050	7.000	/	11.25	5.88	1.249	1.106	UNC 1/2-13	12.500	11.000	UNC 5/8-11	0.281
365	1050	7.000	/	12.25	5.88	1.249	1.106	UNC 1/2-13	12.500	11.000	UNC 5/8-11	0.281

JM Dimensions in Inches						
Mounting						C
S	ET	EQ	AH	EL	EM	
0.190	2.868	0.616	4.25	1.155	1.000	15.22
0.190	2.868	0.616	4.25	1.155	1.000	15.22
0.190	2.868	0.616	4.25	1.155	1.000	16.27
0.190	2.875	0.622	4.25	1.249	1.000	17.86
0.190	2.875	0.622	4.25	1.249	1.000	17.86
0.190	2.817	0.565	4.25	1.249	1.000	18.88
0.190	2.817	0.565	4.25	1.249	1.000	20.37
0.252	3.000	0.622	5.25	1.749	1.375	24.95
0.252	3.000	0.622	5.25	1.749	1.375	24.95
0.252	3.000	0.622	5.25	1.749	1.375	27.23
0.252	3.000	0.622	5.25	1.749	1.375	27.23
0.252	3.000	0.622	5.25	1.749	1.375	27.23
0.252	3.000	0.625	5.25	1.749	1.375	34.25
0.252	3.000	0.625	5.25	1.749	1.375	34.25
0.252	3.000	0.625	5.25	1.749	1.375	35.70
0.252	3.000	0.625	5.25	1.749	1.375	37.65

Frame	Wgt	JM/JP Dimensions in Inches												
		A	B	D	G	H	J	L	O	AB	AC	AF	AA	XN
143	40	6.46	6.00	3.50	0.16	0.39	1.13	4.73	7.00	5.63	4.57	2.02	3/4"NPT	4.04
145	42	6.46	6.00	3.50	0.16	0.39	1.13	4.73	7.00	5.63	4.57	2.02	3/4"NPT	4.04
145	42	6.46	6.00	3.50	0.16	0.39	1.13	4.73	7.00	5.63	4.57	2.02	3/4"NPT	4.04
182	90	8.43	6.70	4.50	0.16	0.47	1.28	5.41	8.50	6.87	5.71	2.50	3/4"NPT	5.00
184	102	8.43	6.70	4.50	0.16	0.47	1.28	5.41	8.50	6.87	5.71	2.50	3/4"NPT	5.00
213	130	10.00	9.45	5.25	0.20	0.47	1.34	6.61	10.2	7.64	6.52	2.50	1"NPT	5.00
215	150	10.00	8.19	5.25	0.20	0.47	1.34	6.61	10.2	7.64	6.52	2.50	1"NPT	5.00
254	280	11.97	12.0	6.25	0.20	0.59	1.92	7.91	12.36	9.49	7.95	2.76	1	5.51
256	280	11.97	12.0	6.25	0.20	0.59	1.92	7.91	12.36	9.49	7.95	2.76	1	5.51
284	315	12.95	13.0	7.00	0.24	0.59	1.95	9.07	14.09	10.31	8.78	2.76	1	5.51
286S	368	12.95	13.0	7.00	0.24	0.59	1.95	9.07	14.09	10.31	8.78	2.76	1	5.51
286	368	12.95	13.0	7.00	0.24	0.59	1.95	9.07	14.09	10.31	8.78	2.76	1	5.51
324	650	15.25	12.5	8.00	1.00	0.68	2.50	19.50	16.14	12.88	10.63	/	2"NPT	11.38
326	750	15.25	14.5	8.00	1.00	1.07	2.50	19.50	16.14	12.88	10.63	/	2"NPT	11.38
364	1050	16.75	14.0	9.00	1.13	0.68	2.75	22.40	17.63	14.25	12.00	/	3"NPT	15.00
365	1050	16.75	14.7	9.00	1.13	0.68	2.75	24.50	17.63	14.25	12.00	/	3"NPT	15.00

JP Dimensions in Inches						
Mounting						C
S	ET	EQ	AH	EL	EM	
0.190	5.931	1.561	7.309	1.155	1.000	18.28
0.190	5.931	1.561	7.309	1.155	1.000	18.28
0.190	5.931	1.561	7.309	1.155	1.000	19.33
0.190	5.937	1.567	7.315	1.249	1.000	17.86
0.190	5.937	1.567	7.315	1.249	1.000	17.86
0.252	5.817	2.317	8.069	1.748	1.374	22.75
0.252	5.817	2.317	8.069	1.748	1.374	24.24
0.252	5.874	2.374	8.126	1.748	1.375	27.82
0.252	5.874	2.374	8.126	1.748	1.375	27.82
0.252	5.874	2.374	8.126	1.748	1.375	30.11
0.252	5.874	2.374	8.126	1.748	1.375	30.11
0.252	5.874	2.374	8.126	1.748	1.375	30.11
0.252	5.875	2.375	8.125	1.749	1.375	35.84
0.376	5.875	2.375	8.125	1.749	1.375	37.13
0.376	5.875	2.375	8.125	2.124	1.750	38.58
0.252	5.875	2.375	8.125	2.124	1.750	40.53



[www.wolongamerica.com](http://www.wolongamerica.com)

GE is a trademark of General Electric Company.  
 Manufactured under trademark license.  
 ©2025, Wolong Electric America LLC. All rights reserved.  
 GEA33484-EN (3/2025)