

WOLONG

Power your future



Quantum™ LMV Vertical Motors

WPI, WP11, TEFC, TEAAC

2 - 12 Pole, 3 Phase, 60 Hz

460V - 6.6kV, 150 - 2000 HP

Solidly Built Motors

Engineered to Last



Extensive Vertical Motor Experience

We have been designing and manufacturing motors for more than 120 years and more than 50 years for vertical turbine pumps. Our highly experienced application experts solve challenges for a wide range of custom engineering requirements.

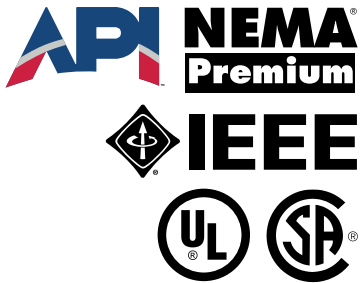
Quantum = Reliability

Purchasing dependable electric motors is an investment in the reliability of your operation which means serious savings to your bottom line. We've engineered motor bearings and windings to address all of the top factors that can shorten motor life. That is why Quantum motors are well known for their reliability in the field.

Meeting or Exceeding Standards

GE motors from Wolong are engineered, tested, and proven to meet or exceed all applicable requirements and standards.

NEMA
IEEE 841
UL & CSA
API 610, 541
Division 2



Speed/Power Capability Range

2300 V / 4160 V	500 Frames		580 Frames	
	WPI / II	TEFC	WPI / II	TEAAC
Poles				
2	150 - 800 HP	150 - 450 HP	-	-
4	150 - 1000 HP	150 - 700 HP	900 - 2000 HP	700 - 1250 HP
6	150 - 700 HP	150 - 600 HP	700 - 1250 HP	600 - 1000 HP
8	150 - 450 HP	150 - 300 HP	450 - 1000 HP	300 - 700 HP
10	150 - 300 HP	150 - 250 HP	300 - 800 HP	250 - 450 HP
12	150 - 250 HP	150 - 200 HP	250 - 500 HP	150 - 250 HP

6600 V Range - Please contact your Wolong representative for details.

Industries & Applications

Quantum LMV vertical motors are commonly used in the petrochemical, agriculture, mining, pulp and paper, water, wastewater, and general process industries for various pump applications.



Quantum Technical Advantages

For increased system life and reliability.

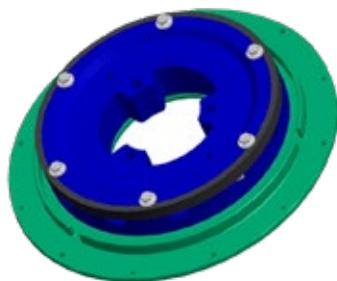
Efficient Core Cooling

A ventilation scheme is crucial for managing motor temperature. But it must strike a balance between moving heat out of the core without sacrificing energy efficiency or increasing noise levels.

We engineered an optimal cooling system with reduced windage losses and improves motor efficiency. Noise levels have also been reduced by the elimination of internal sources.

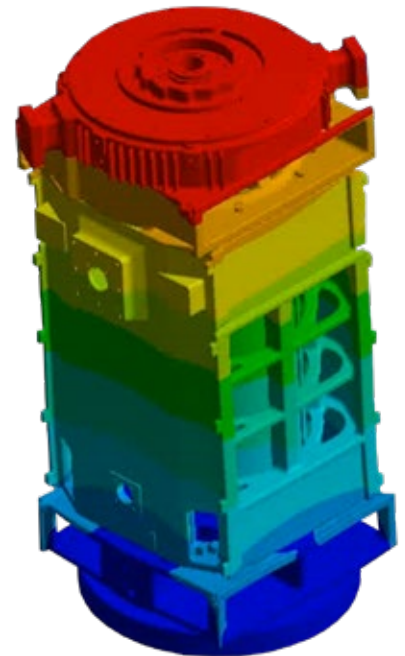
Non-Reverse Ratchet

High reliability and low noise at start up are features of this proven ratchet design. It also allows for use on a VFD down to 150 RPM.



Accurate Reed Critical Frequency Data

Reduces the chance for vibration issues after installation. Additionally, they feature robust base foundations. Bump tests and reports are also available upon request.



Engineered for Reliability

Common Features & Benefits

- Meets or exceeds NEMA Premium® efficiency levels providing for lower operating cost and lower environmental impact.
- Low vibration levels for maximum bearing life.
- Robust cast iron frame and end shields.
- Ground in conduit box and frame pad.
- Excels in extreme environments -40°C to 40°C.
- New and improved ball type non-reverse ratchet system allows reliable operation down to 150-275 RPM.
- Epoxy solvent-less resin vacuum pressure impregnation (VPI) process combines superior insulation materials into a complete system subjected to vigorous testing.
- Multiple oversized frame and lamination vents result in low core temperature.
- Rugged and reliable cast iron construction.
- New improved thrust ratings are the highest by power rating in the industry.
- Patented bearing cooling system for TEFC motors eliminates the need for water cooled thrust bearings.
- Improved oil reservoir and optimized bearing sizes eliminates the need for water cooled thrust bearings on most WPI/WPII ratings.
- Class F insulation with Class B rise.
- IP55 protection is standard for TEFC frames.
- Rugged class 30 cast iron feet.

Superior Bearings

- Oil lubricated angular contact and spherical roller bearings are suitable to withstand high axial loads for thrust limits up to 100, 175, and 300% as required on the pumping system.

Frame/Enclosure	Max. Thrust Limit (lb.ft.)
500 WPI, II	44,000
500 TEFC	40,000
580 WPI, II	50,000
580 TEAAC	50,000

For more information about specific thrust capabilities, please consult with your Wolong representative.

- Improved oil reservoir and optimized bearing sizes eliminates the need for water-cooled thrust bearings on most WPI/WPII ratings.
- New improved thrust ratings offer the highest thrust ratings by power rating in the industry.
- 100 Ohm platinum RTD's on both bearings or provisions for RTD's
- Insulated upper bearing system and insulated guide bearing available upon request.

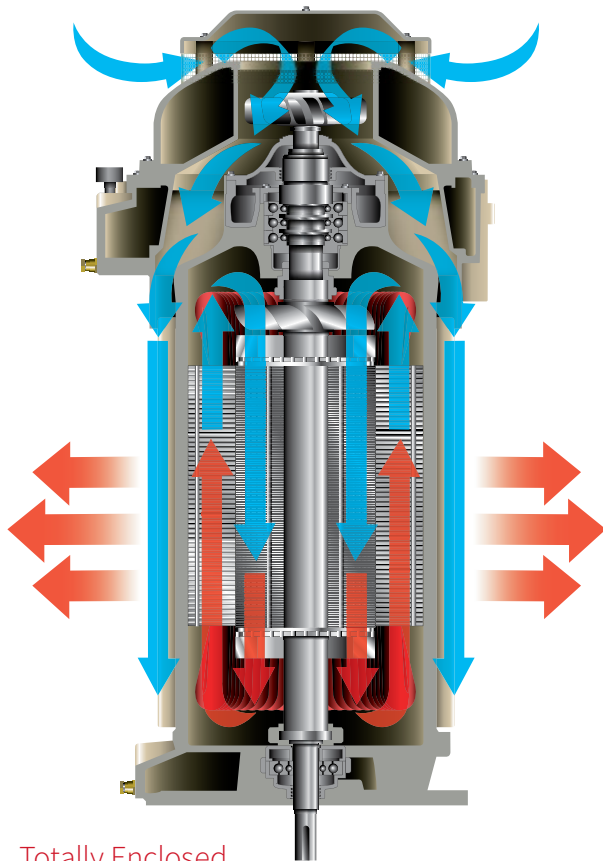


▼ Ratings

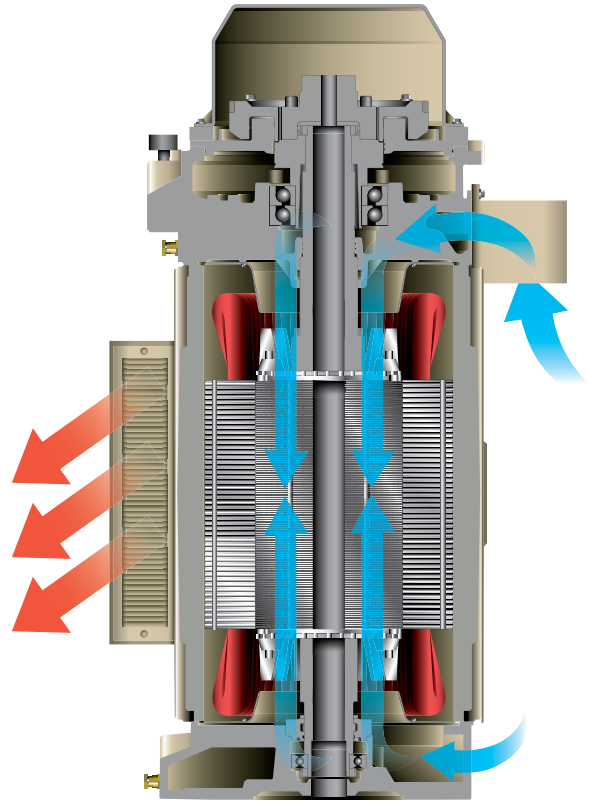


Quantum Line	WPI / II 500	TEFC 500	TEFC 500 IEEE 841	WPI / II 580	TEAAC 580
HP Range	150 - 1000	150 - 700	150 - 700	250 - 2000	150 - 1250
Poles	2, 4, 6, 8, 10, 12			4, 6, 8, 10, 12	
Voltage	< 7 kV	< 4.2 kV		< 7 kV	
Ambient	40°C to -25°C			40°C to -20°C	
Bearing Type	Thrust Bearing: Angular contact/Spherical roller(Air /water cooled) Guide bearing: Ball Bearing				
Efficiency	Meets or exceeds NEMA Premium		Meets or exceeds IEEE 841 requirements	Premium Efficiency	
Enclosure	WPI (IP23), WP II (IP24)	TEFC (IP55)	TEFC (IP56)	WPI (IP23), WP II (IP24)	TEAAC (IP54)
Hardware	SAE Grade 5, Zinc plated	SAE Grade 5	SAE Grade 5, Zinc chromate coated		
Frame Size	509 - 5013			5813	
Frequency	60 Hz				
Insulation	Class F, Epoxy VPI				
VFD Duty	Suitable for VFD applications (Consult engineering for details).				
DIV II	Suitable for Div 2 applications (Consult engineering for details).				
API 541	Suitable for API 541 applications (Consult engineering for details).				
Service Factor	1.15			1.0	
Shaft Material	AISI 1045 / 4142				
Space Heater	120V winding heater, leads to accessory box (Consult engineering for non standard requirements).				
Temp Rise	80°C @ 1.0 SF				
Warranty	2 Years		3 Years	1 Year	

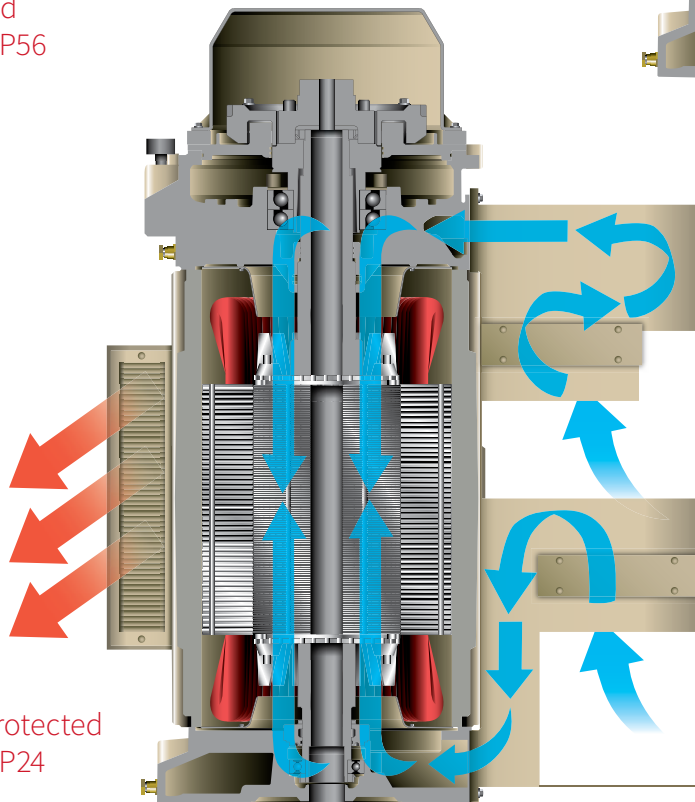
▼ 500 frame cooling methods



Totally Enclosed
Fan Cooled
TEFC, IP55, IP56

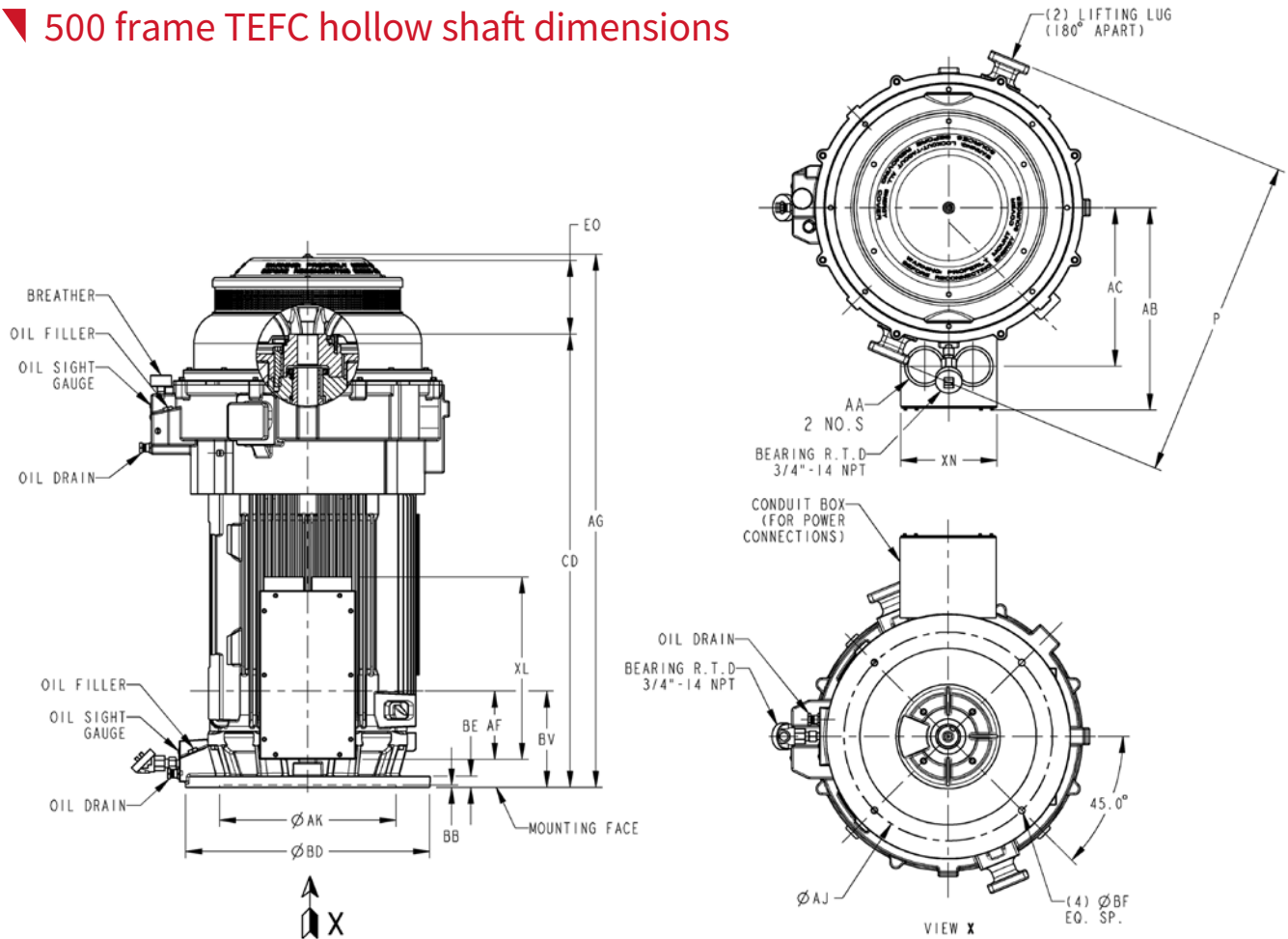


Weather Protected
WPI, IP23



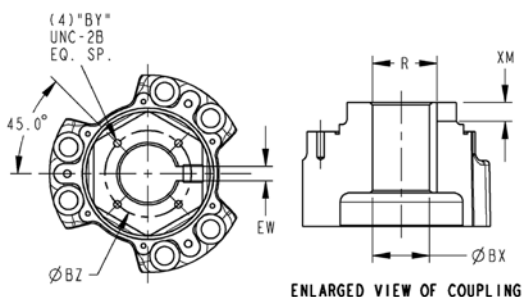
Weather Protected
WPII, IP24

500 frame TEFC hollow shaft dimensions

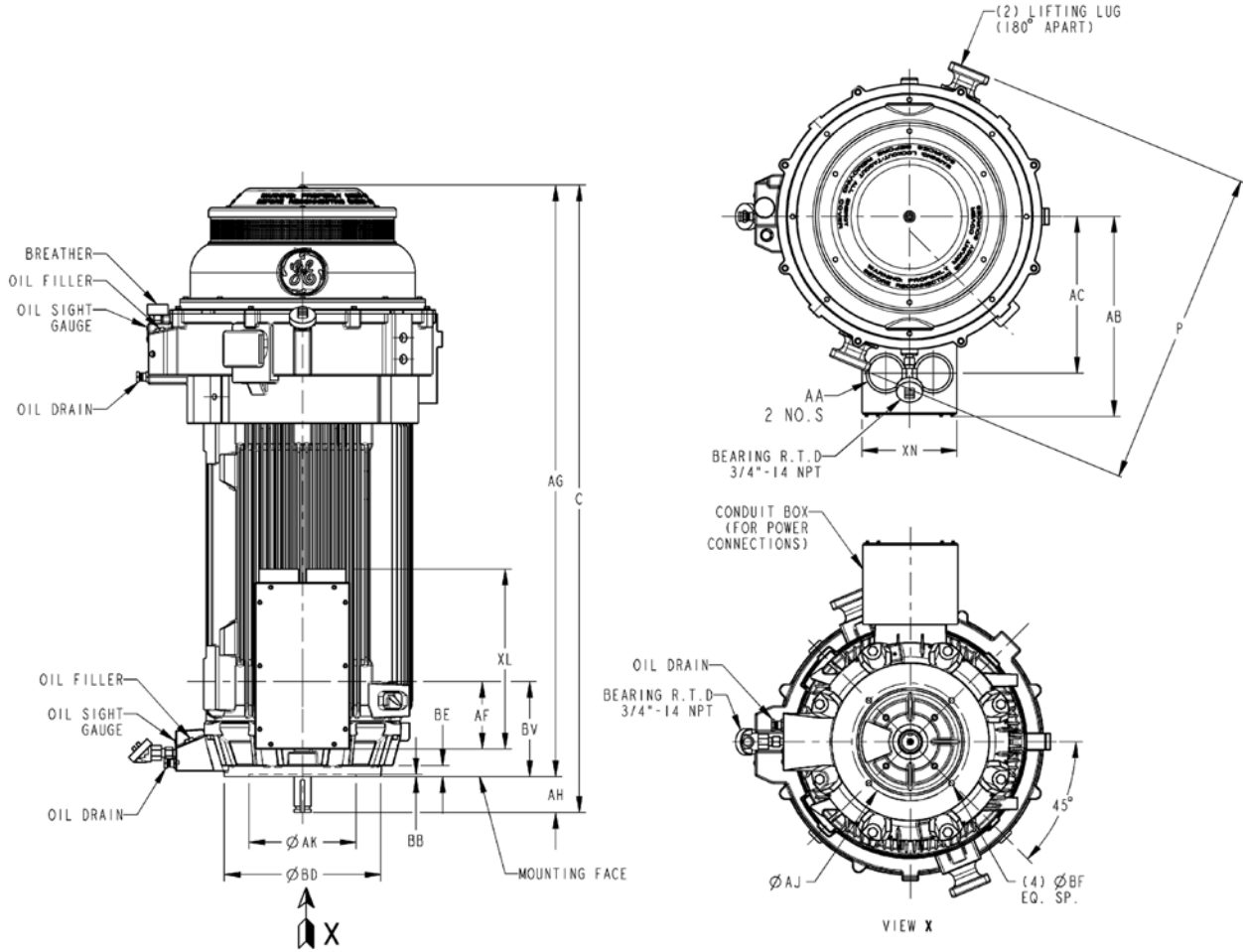


Frame	Frame Dimensions											Conduit Box Dimensions					
	PD	P	AG	CD	AJ	AK	BE	BB Min.	BF	BV	EO Min.	AA	AB	AC	AF	XL	XN
509	20.00	40.24	66.39	56.50	14.75	13.50	1.40	0.25	0.69	12.00	9.18	4"-8 NPT	25.40	19.94	14.20	22.70	12.00
5011	20.00	40.24	74.39	64.50	14.75	13.50	1.40	0.25	0.69	12.00	9.18	4"-8 NPT	25.40	19.94	14.20	22.70	12.00
5013	20.00	40.24	83.39	73.50	14.75	13.50	1.40	0.25	0.69	12.00	9.18	4"-8 NPT	25.40	19.94	14.20	22.70	12.00
509	24.50	40.24	66.39	56.50	14.75	13.50	1.40	0.25	0.69	12.00	9.18	4"-8 NPT	25.40	19.94	14.20	22.70	12.00
5011	24.50	40.24	74.39	64.50	14.75	13.50	1.40	0.25	0.69	12.00	9.18	4"-8 NPT	25.40	19.94	14.20	22.70	12.00
5013	24.50	40.24	83.39	73.50	14.75	13.50	1.40	0.25	0.69	12.00	9.18	4"-8 NPT	25.40	19.94	14.20	22.70	12.00
509	30.50	40.24	66.39	56.50	26.00	22.00	1.40	0.25	0.81	12.00	9.18	4"-8 NPT	25.40	19.94	14.20	22.70	12.00
5011	30.50	40.24	74.39	64.50	26.00	22.00	1.40	0.25	0.81	12.00	9.18	4"-8 NPT	25.40	19.94	14.20	22.70	12.00
5013	30.50	40.24	83.39	73.50	26.00	22.00	1.40	0.25	0.81	12.00	9.18	4"-8 NPT	25.40	19.94	14.20	22.70	12.00

Coupling Dimensions					
BX	BY	BZ	Keyway		
			EW	R	XM
2.501	0.375-16	3.750	0.625	2.778	0.81
2.438	0.375-16	3.250	0.625	2.715	0.81
2.251	0.375-16	3.250	0.500	2.477	0.69
2.188	0.375-16	3.250	0.500	2.414	0.69
2.001	0.375-16	3.250	0.500	2.223	0.69
1.938	0.250-20	2.500	0.500	2.160	0.69
1.813	0.250-20	2.500	0.500	2.033	0.69
1.751	0.250-20	2.500	0.375	1.922	0.56
1.688	0.250-20	2.500	0.375	1.859	0.56
1.501	0.250-20	2.125	0.375	1.669	0.56

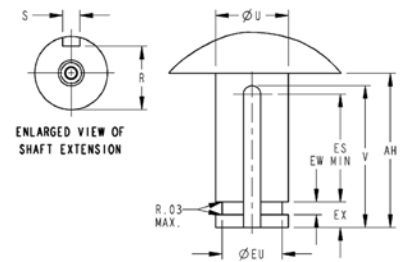


500 frame TEFC solid shaft dimensions



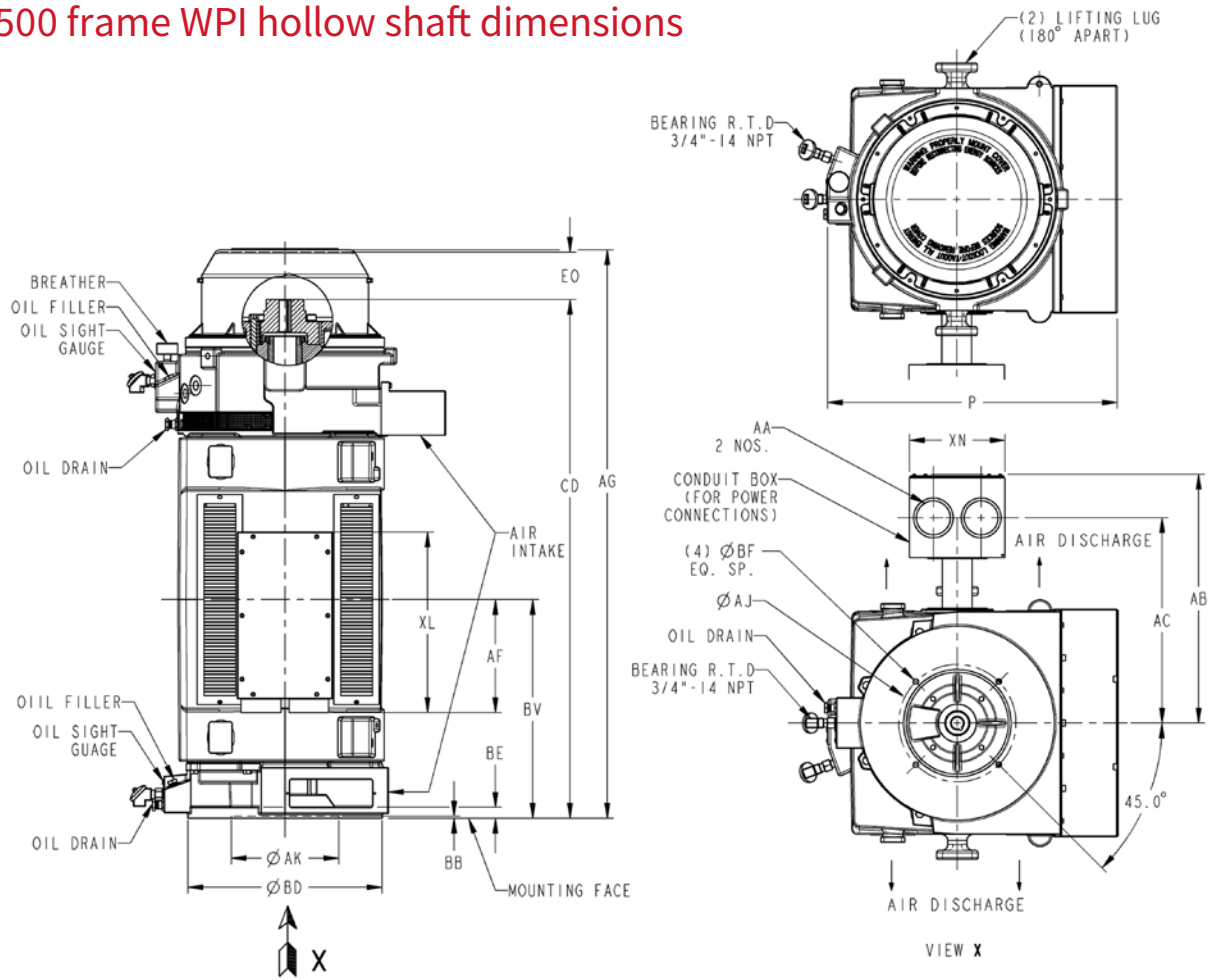
Frame	Frame Dimensions								Conduit Box Dimensions					
	PD	P	AJ	AK	BE	BB Min.	BF	BV	AA	AB	AC	AF	XL	XN
509	20.00	40.24	14.75	13.50	1.40	0.25	0.69	12.00	4"-8 NPT	25.40	19.94	8.50	22.70	12.00
5011	20.00	40.24	14.75	13.50	1.40	0.25	0.69	12.00	4"-8 NPT	25.40	19.94	8.50	22.70	12.00
5013	20.00	40.24	14.75	13.50	1.40	0.25	0.69	12.00	4"-8 NPT	25.40	19.94	8.50	22.70	12.00
509	24.50	40.24	14.75	13.50	1.40	0.25	0.69	12.00	4"-8 NPT	25.40	19.94	8.50	22.70	12.00
5011	24.50	40.24	14.75	13.50	1.40	0.25	0.69	12.00	4"-8 NPT	25.40	19.94	8.50	22.70	12.00
5013	24.50	40.24	14.75	13.50	1.40	0.25	0.69	12.00	4"-8 NPT	25.40	19.94	8.50	22.70	12.00
509	30.50	40.24	26.00	22.00	1.40	0.25	0.81	12.00	4"-8 NPT	25.40	19.94	8.50	22.70	12.00
5011	30.50	40.24	26.00	22.00	1.40	0.25	0.81	12.00	4"-8 NPT	25.40	19.94	8.50	22.70	12.00
5013	30.50	40.24	26.00	22.00	1.40	0.25	0.81	12.00	4"-8 NPT	25.40	19.94	8.50	22.70	12.00

Frame	Shaft Extension										
	U	EU	ES	V Min	S	R	EW	EX	AH	C	AG
509	2.625	2.125	3.600	5.300	0.625	2.275	0.500	1.000	5.00	71.39	66.39
5011	2.625	2.125	3.600	5.300	0.625	2.275	0.500	1.000	5.00	79.39	74.39
5013	2.625	2.125	3.600	5.300	0.625	2.275	0.500	1.000	5.00	88.39	83.39
509	2.375	2.000	3.558	4.620	0.625	2.006	0.375	0.750	5.00	71.39	66.39
5011	2.375	2.000	3.558	4.620	0.625	2.006	0.375	0.750	5.00	79.39	74.39
5013	2.375	2.000	3.558	4.620	0.625	2.006	0.375	0.750	5.00	88.39	83.39
509	2.125	1.750	3.150	4.150	0.500	1.845	0.375	0.750	4.50	0.750	4.50
5011	2.125	1.750	3.150	4.150	0.500	1.845	0.375	0.750	4.50	0.750	4.50



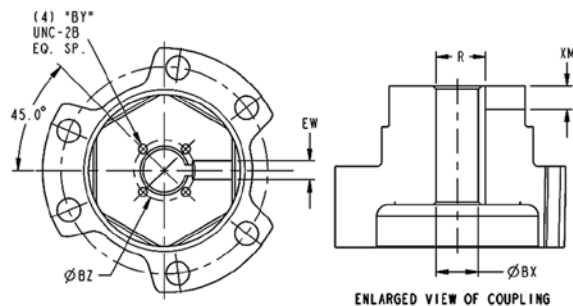
2 Pole dims

500 frame WPI hollow shaft dimensions

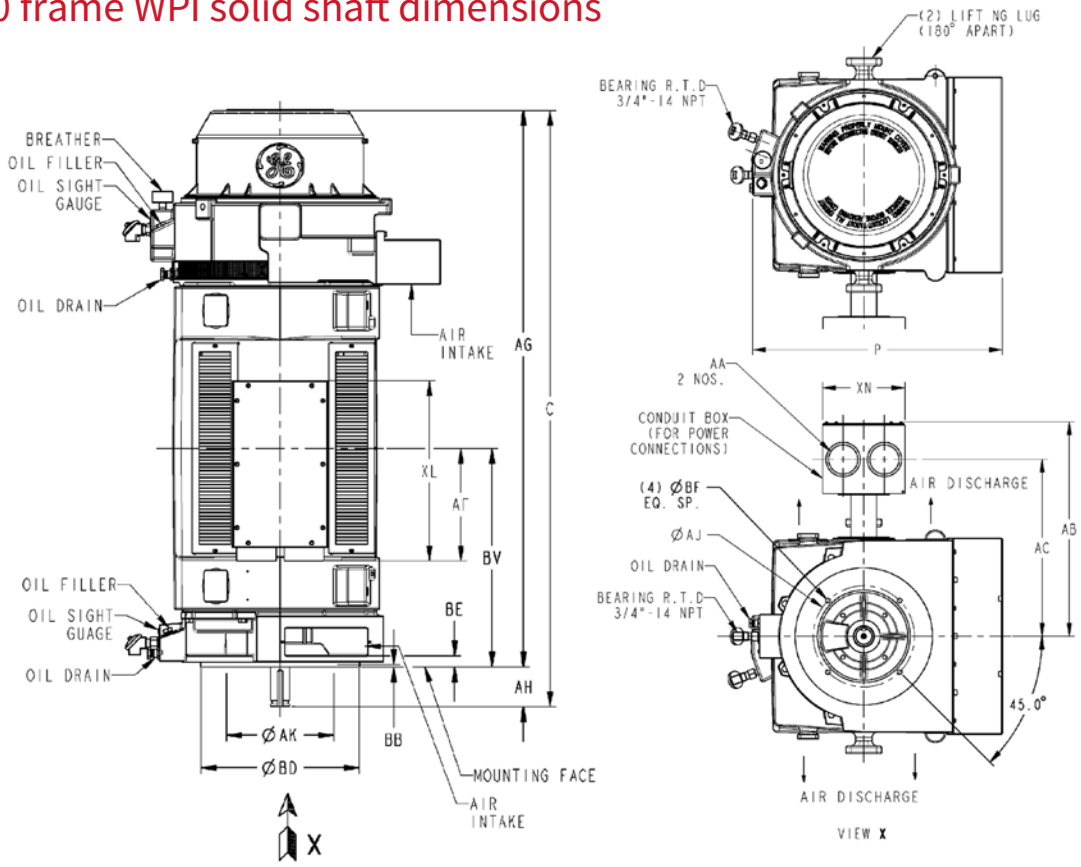


Frame	Frame Dimensions											Conduit Box Dimensions					
	PD	P	AG	CD	AJ	AK	BE	BB Min.	BF	BV	EO Min.	AA	AB	AC	AF	XL	XN
509	20.00	36.45	63.45	57.06	14.75	13.50	1.40	0.25	0.69	23.49	6.08	4"-8 NPT	31.27	25.80	14.20	22.70	12.00
5011	20.00	36.45	71.45	65.06	14.75	13.50	1.40	0.25	0.69	27.49	6.08	4"-8 NPT	31.27	25.80	14.20	22.70	12.00
5013	20.00	36.45	80.45	74.06	14.75	13.50	1.40	0.25	0.69	31.99	6.08	4"-8 NPT	31.27	25.80	14.20	22.70	12.00
509	24.50	36.45	63.45	57.06	14.75	13.50	1.40	0.25	0.69	23.49	6.08	4"-8 NPT	31.27	25.80	14.20	22.70	12.00
5011	24.50	36.45	71.45	65.06	14.75	13.50	1.40	0.25	0.69	27.49	6.08	4"-8 NPT	31.27	25.80	14.20	22.70	12.00
5013	24.50	36.45	80.45	74.06	14.75	13.50	1.40	0.25	0.69	31.99	6.08	4"-8 NPT	31.27	25.80	14.20	22.70	12.00
509	30.50	36.45	63.45	57.06	26.00	22.00	1.40	0.25	0.81	23.49	6.08	4"-8 NPT	31.27	25.80	14.20	22.70	12.00
5011	30.50	36.45	71.45	65.06	26.00	22.00	1.40	0.25	0.81	27.49	6.08	4"-8 NPT	31.27	25.80	14.20	22.70	12.00
5013	30.50	36.45	80.45	74.06	26.00	22.00	1.40	0.25	0.81	31.99	6.08	4"-8 NPT	31.27	25.80	14.20	22.70	12.00

Coupling Dimensions					
BX	BY	BZ	Keyway		
			EW	R	XM
2.751	0.375-16	3.750	0.625	3.032	0.81
2.688	0.375-16	3.750	0.625	2.968	0.81
2.501	0.375-16	3.750	0.625	2.778	0.81
2.438	0.375-16	3.250	0.625	2.715	0.81
2.251	0.375-16	3.250	0.500	2.477	0.69
2.188	0.375-16	3.250	0.500	2.414	0.69
2.001	0.375-16	3.250	0.500	2.223	0.69
1.938	0.250-20	2.500	0.500	2.16	0.69
1.813	0.250-20	2.500	0.500	2.033	0.69
1.751	0.250-20	2.500	0.375	1.922	0.56
1.688	0.250-20	2.500	0.375	1.859	0.56
1.501	0.250-20	2.125	0.375	1.669	0.56

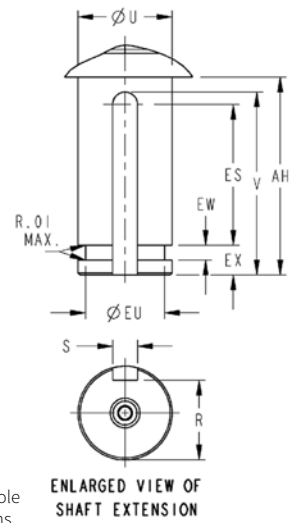


500 frame WPI solid shaft dimensions

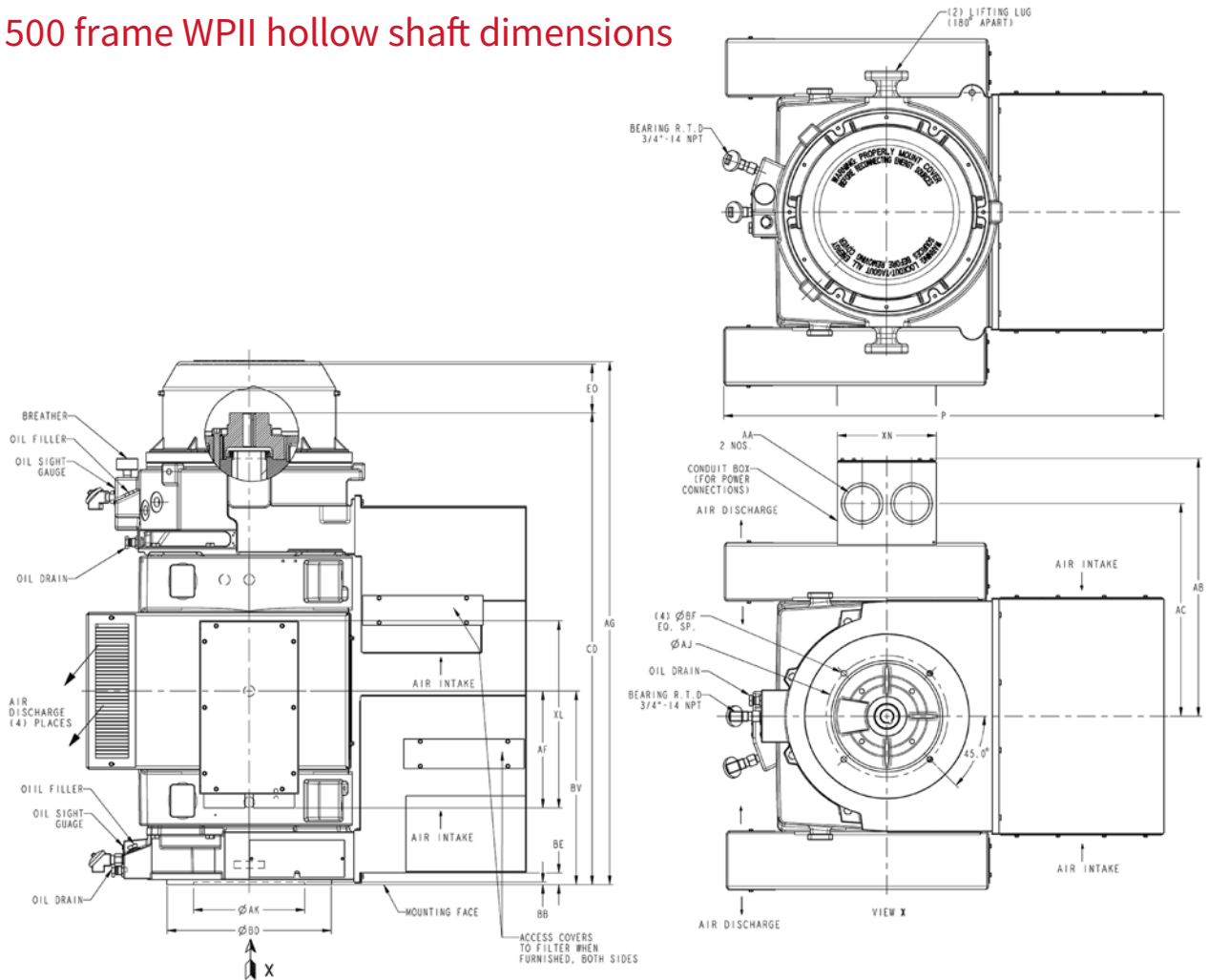


Frame	Frame Dimensions								Conduit Box Dimensions					
	PD	P	AJ	AK	BE	BB Min.	BF	BV	AA	AB	AC	AF	XL	XN
509	20.00	36.45	14.75	13.50	1.40	0.25	0.69	23.49	4"-8 NPT	31.27	25.80	14.20	22.70	12.00
5011	20.00	36.45	14.75	13.50	1.40	0.25	0.69	27.49	4"-8 NPT	31.27	25.80	14.20	22.70	12.00
5013	20.00	36.45	14.75	13.50	1.40	0.25	0.69	31.99	4"-8 NPT	31.27	25.80	14.20	22.70	12.00
509	24.50	36.45	14.75	13.50	1.40	0.25	0.69	23.49	4"-8 NPT	31.27	25.80	14.20	22.70	12.00
5011	24.50	36.45	14.75	13.50	1.40	0.25	0.69	27.49	4"-8 NPT	31.27	25.80	14.20	22.70	12.00
5013	24.50	36.45	14.75	13.50	1.40	0.25	0.69	31.99	4"-8 NPT	31.27	25.80	14.20	22.70	12.00
509	30.50	36.45	26.00	22.00	1.40	0.25	0.81	23.49	4"-8 NPT	31.27	25.80	14.20	22.70	12.00
5011	30.50	36.45	26.00	22.00	1.40	0.25	0.81	27.49	4"-8 NPT	31.27	25.80	14.20	22.70	12.00
5013	30.50	36.45	26.00	22.00	1.40	0.25	0.81	31.99	4"-8 NPT	31.27	25.80	14.20	22.70	12.00

Frame	Shaft Extension										
	U	EU	ES	V Min	S	R	EW	EX	AH	C	AG
509	2.875	2.375	4.100	5.480	0.750	2.450	0.500	1.000	6.00	69.45	63.45
5011	2.875	2.375	4.100	5.480	0.750	2.450	0.500	1.000	6.00	77.45	71.45
5013	2.875	2.375	4.100	5.480	0.750	2.450	0.500	1.000	6.00	86.45	80.45
509	2.750	2.250	3.600	5.225	0.625	2.400	0.500	1.000	5.00	68.45	63.45
5011	2.750	2.250	3.600	5.225	0.625	2.400	0.500	1.000	5.00	76.45	71.45
5013	2.750	2.250	3.600	5.225	0.625	2.400	0.500	1.000	5.00	85.45	80.45
509	2.625	2.125	3.600	5.300	0.625	2.275	0.500	1.000	5.00	68.45	63.45
5011	2.625	2.125	3.600	5.300	0.625	2.275	0.500	1.000	5.00	76.45	71.45
5013	2.625	2.125	3.600	5.300	0.625	2.275	0.500	1.000	5.00	85.45	80.45
509	2.375	2.000	3.600	4.620	0.625	2.006	0.375	0.750	5.00	68.45	63.45
5011	2.375	2.000	3.600	4.620	0.625	2.006	0.375	0.750	5.00	76.45	71.45
5013	2.375	2.000	3.600	4.620	0.625	2.006	0.375	0.750	5.00	85.45	80.45
509	2.375	2.000	3.600	4.620	0.625	2.006	0.375	0.750	5.00	66.98	61.98
5011	2.375	2.000	3.600	4.620	0.625	2.006	0.375	0.750	5.00	74.98	69.98
509	2.125	1.750	3.150	4.150	0.500	1.845	0.375	0.750	4.50	66.98	61.98
5011	2.125	1.750	3.150	4.150	0.500	1.845	0.375	0.750	4.50	74.98	69.98

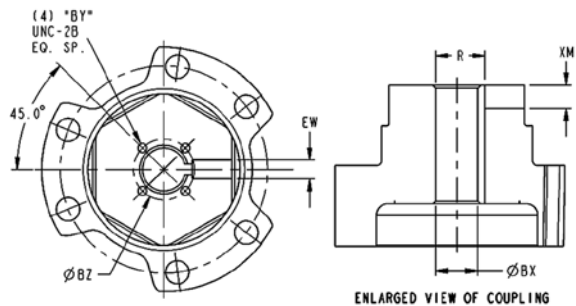


500 frame WPII hollow shaft dimensions

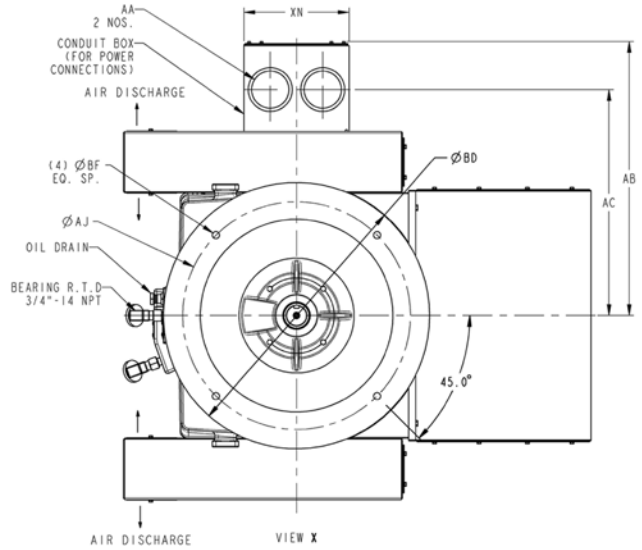
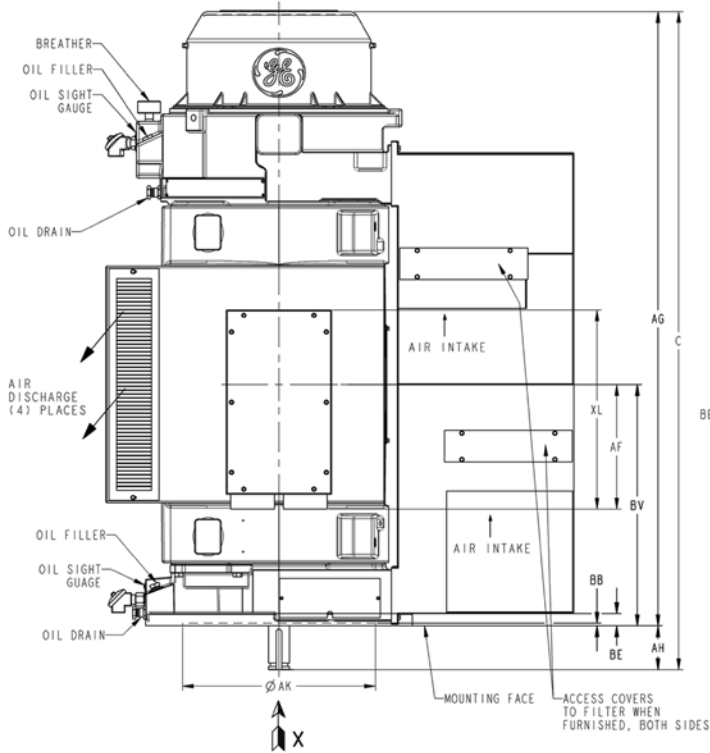


Frame	Frame Dimensions											Conduit Box Dimensions					
	PD	P	AG	CD	AJ	AK	BE	BB Min.	BF	BV	EO Min.	AA	AB	AC	AF	XL	XN
509	20.00	53.34	63.45	57.06	14.75	13.50	1.40	0.25	0.69	23.49	6.08	4"-8 NPT	31.27	25.80	14.20	22.70	12.00
5011	20.00	53.34	71.45	65.06	14.75	13.50	1.40	0.25	0.69	27.49	6.08	4"-8 NPT	31.27	25.80	14.20	22.70	12.00
5013	20.00	53.34	80.45	74.06	14.75	13.50	1.40	0.25	0.69	31.99	6.08	4"-8 NPT	31.27	25.80	14.20	22.70	12.00
509	24.50	53.34	63.45	57.06	14.75	13.50	1.40	0.25	0.69	23.49	6.08	4"-8 NPT	31.27	25.80	14.20	22.70	12.00
5011	24.50	53.34	71.45	65.06	14.75	13.50	1.40	0.25	0.69	27.49	6.08	4"-8 NPT	31.27	25.80	14.20	22.70	12.00
5013	24.50	53.34	80.45	74.06	14.75	13.50	1.40	0.25	0.69	31.99	6.08	4"-8 NPT	31.27	25.80	14.20	22.70	12.00
509	30.50	53.34	63.45	57.06	26.00	22.00	1.40	0.25	0.81	23.49	6.08	4"-8 NPT	31.27	25.80	14.20	22.70	12.00
5011	30.50	53.34	71.45	65.06	26.00	22.00	1.40	0.25	0.81	27.49	6.08	4"-8 NPT	31.27	25.80	14.20	22.70	12.00
5013	30.50	53.34	80.45	74.06	26.00	22.00	1.40	0.25	0.81	31.99	6.08	4"-8 NPT	31.27	25.80	14.20	22.70	12.00

Coupling Dimensions					
BX	BY	BZ	Keyway		
			EW	R	XM
2.751	0.375-16	3.750	0.625	3.032	0.81
2.688	0.375-16	3.750	0.625	2.968	0.81
2.501	0.375-16	3.750	0.625	2.778	0.81
2.438	0.375-16	3.250	0.625	2.715	0.81
2.251	0.375-16	3.250	0.500	2.477	0.69
2.188	0.375-16	3.250	0.500	2.414	0.69
2.001	0.375-16	3.250	0.500	2.223	0.69
1.938	0.250-20	2.500	0.500	2.16	0.69
1.813	0.250-20	2.500	0.500	2.033	0.69
1.751	0.250-20	2.500	0.375	1.922	0.56
1.688	0.250-20	2.500	0.375	1.859	0.56
1.501	0.250-20	2.125	0.375	1.669	0.56

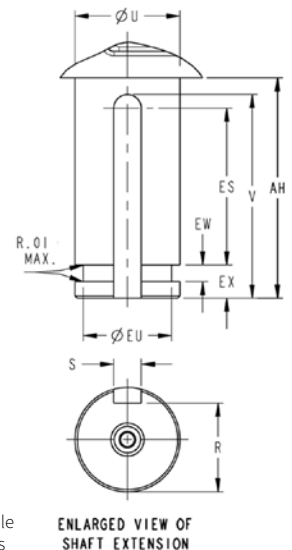


500 frame WPII solid shaft dimensions

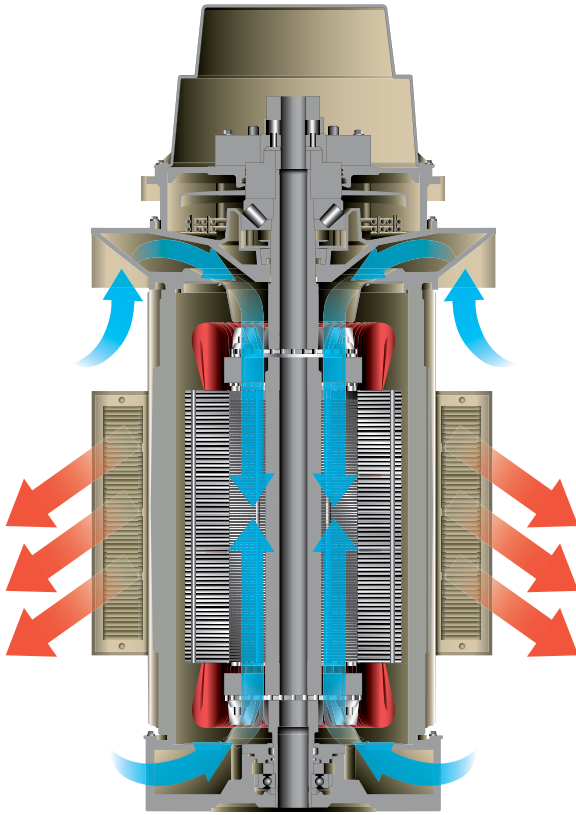


Frame	Frame Dimensions								Conduit Box Dimensions					
	PD	P	AJ	AK	BE	BB Min.	BF	BV	AA	AB	AC	AF	XL	XN
509	20.00	53.34	14.75	13.50	1.40	0.25	0.69	23.49	4"-8 NPT	31.27	25.80	14.20	22.70	12.00
5011	20.00	53.34	14.75	13.50	1.40	0.25	0.69	27.49	4"-8 NPT	31.27	25.80	14.20	22.70	12.00
5013	20.00	53.34	14.75	13.50	1.40	0.25	0.69	31.99	4"-8 NPT	31.27	25.80	14.20	22.70	12.00
509	24.50	53.34	14.75	13.50	1.40	0.25	0.69	23.49	4"-8 NPT	31.27	25.80	14.20	22.70	12.00
5011	24.50	53.34	14.75	13.50	1.40	0.25	0.69	27.49	4"-8 NPT	31.27	25.80	14.20	22.70	12.00
5013	24.50	53.34	14.75	13.50	1.40	0.25	0.69	31.99	4"-8 NPT	31.27	25.80	14.20	22.70	12.00
509	30.50	53.34	26.00	22.00	1.40	0.25	0.81	23.49	4"-8 NPT	31.27	25.80	14.20	22.70	12.00
5011	30.50	53.34	26.00	22.00	1.40	0.25	0.81	27.49	4"-8 NPT	31.27	25.80	14.20	22.70	12.00
5013	30.50	53.34	26.00	22.00	1.40	0.25	0.81	31.99	4"-8 NPT	31.27	25.80	14.20	22.70	12.00

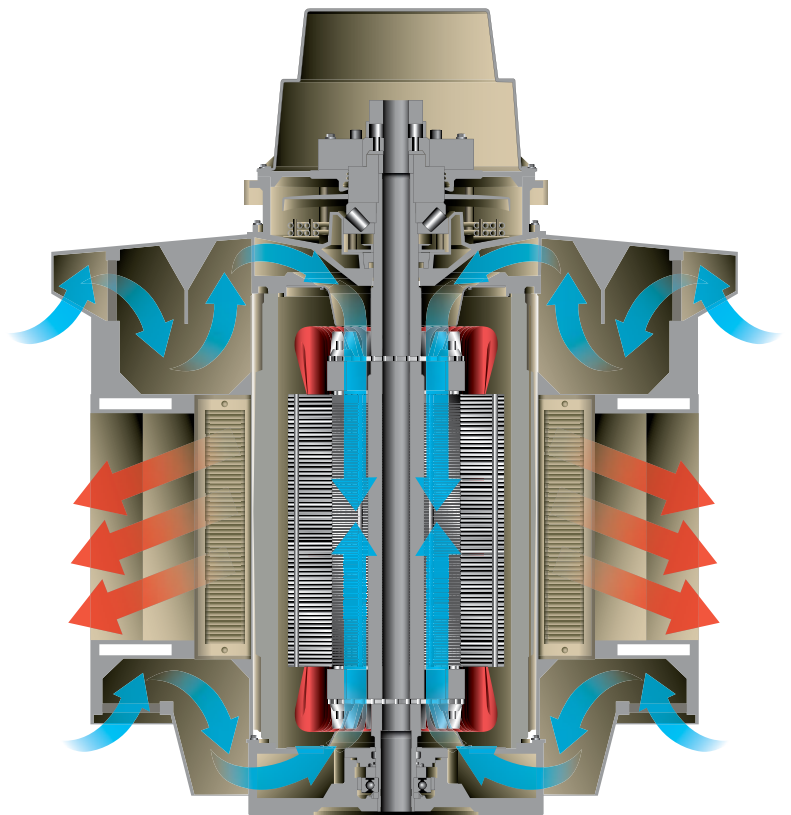
Frame	Shaft Extension										
	U	EU	ES	V Min	S	R	EW	EX	AH	C	AG
509	2.875	2.375	4.100	5.480	0.750	2.450	0.500	1.000	6.00	69.45	63.45
5011	2.875	2.375	4.100	5.480	0.750	2.450	0.500	1.000	6.00	77.45	71.45
5013	2.875	2.375	4.100	5.480	0.750	2.450	0.500	1.000	6.00	86.45	80.45
509	2.750	2.250	3.600	5.225	0.625	2.400	0.500	1.000	5.00	68.45	63.45
5011	2.750	2.250	3.600	5.225	0.625	2.400	0.500	1.000	5.00	76.45	71.45
5013	2.750	2.250	3.600	5.225	0.625	2.400	0.500	1.000	5.00	85.45	80.45
509	2.625	2.125	3.600	5.300	0.625	2.275	0.500	1.000	5.00	68.45	63.45
5011	2.625	2.125	3.600	5.300	0.625	2.275	0.500	1.000	5.00	76.45	71.45
5013	2.625	2.125	3.600	5.300	0.625	2.275	0.500	1.000	5.00	85.45	80.45
509	2.375	2.000	3.600	4.620	0.625	2.006	0.375	0.750	5.00	68.45	63.45
5011	2.375	2.000	3.600	4.620	0.625	2.006	0.375	0.750	5.00	76.45	71.45
5013	2.375	2.000	3.600	4.620	0.625	2.006	0.375	0.750	5.00	85.45	80.45
509	2.375	2.000	3.600	4.620	0.625	2.006	0.375	0.750	5.00	66.98	61.98
5011	2.375	2.000	3.600	4.620	0.625	2.006	0.375	0.750	5.00	74.98	69.98
509	2.125	1.750	3.150	4.150	0.500	1.845	0.375	0.750	4.50	66.98	61.98
5011	2.125	1.750	3.150	4.150	0.500	1.845	0.375	0.750	4.50	74.98	69.98



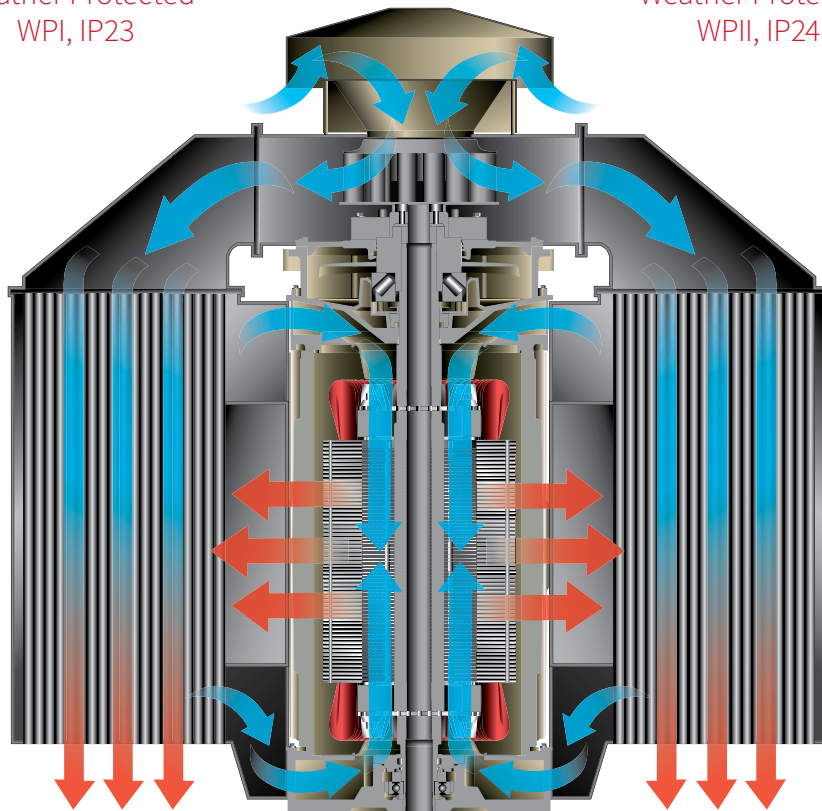
▼ 580 frame cooling methods



Weather Protected
WPI, IP23

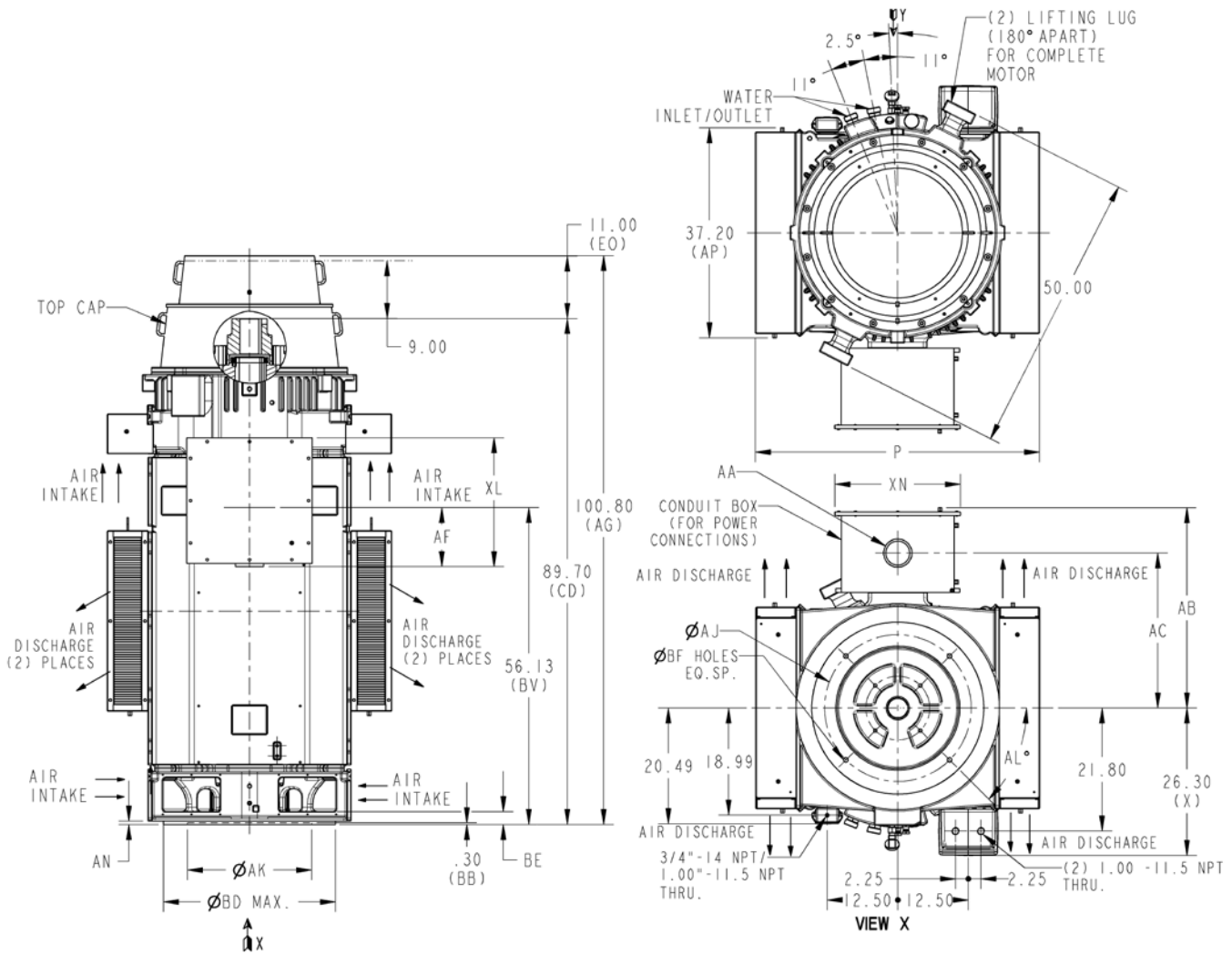


Weather Protected
WPII, IP24



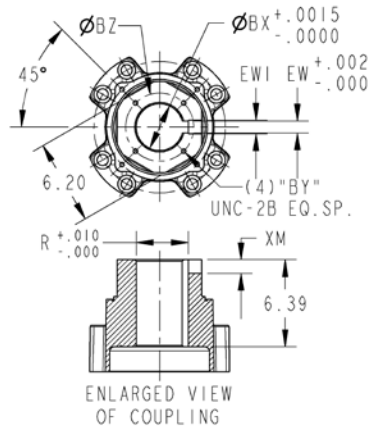
Totally Enclosed
Air-to-Air Cooled
TEAAC, IP54

580 frame WPI hollow shaft dimensions

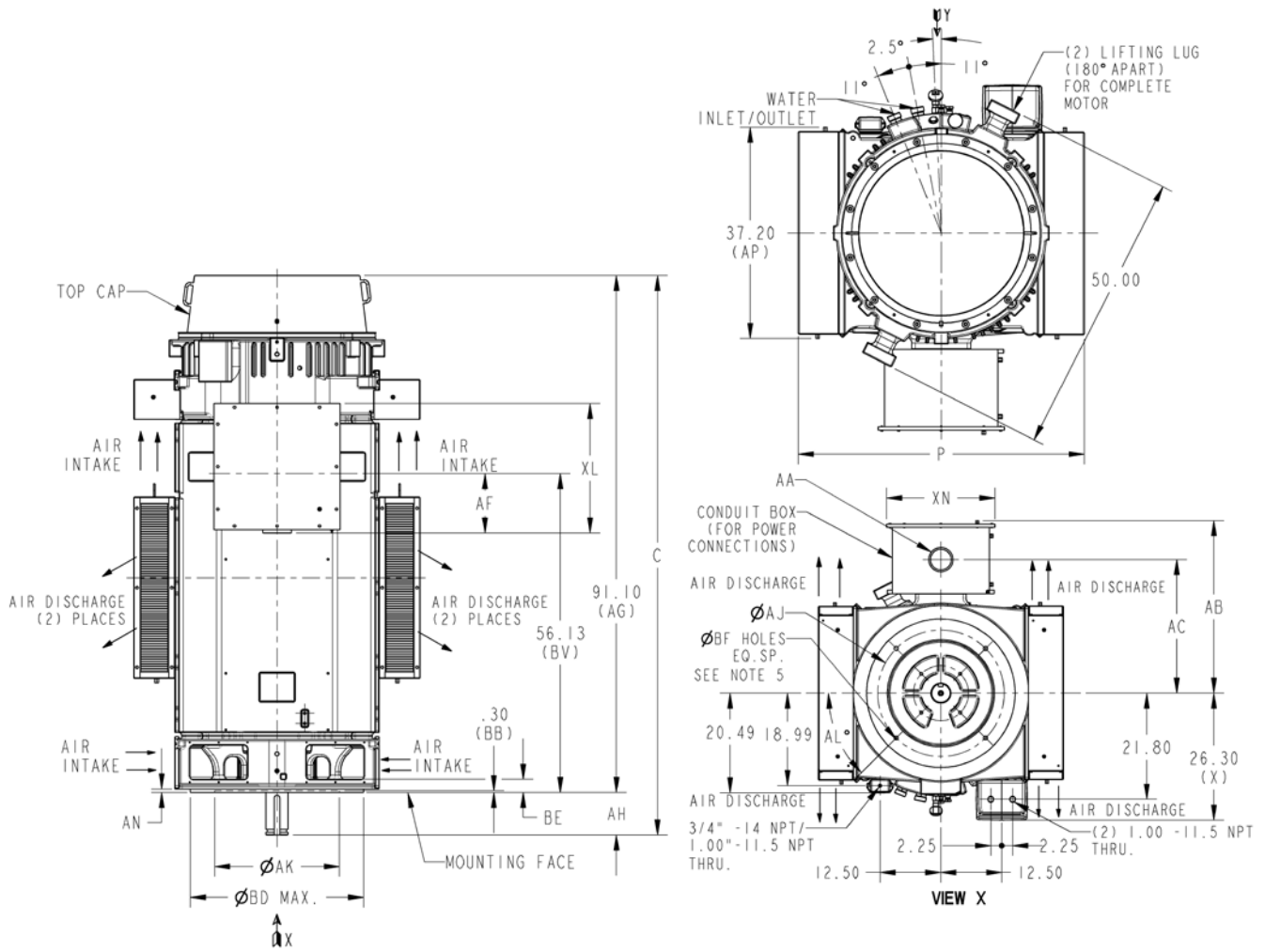


Frame	Frame Dimensions										Conduit Box Dimensions						
	BD	P	AG	CD	AJ	AK	BE	BB Min.	BF	BV	EO Min.	AA	AB	AC	AF	XL	XN
5813	30.50	50.90	100.80	89.70	26.00	22.00	2.30	0.30	0.813	56.13	11.00	4"-8 NPT	35.40	27.90	10.30	23.24	22.25
5813	36.00	50.90	100.80	89.70	32.00	26.00	2.30	0.30	1.000	56.13	11.00	4"-8 NPT	40.80	32.00	16.00	28.10	28.74

Coupling Dimensions						
BX	BY	BZ	Keyway			
			EW	EW1	R	XM
2.001	0.375-16	3.250	0.500	0.625	2.223	0.688
2.188	0.375-16	3.250	0.500	0.625	2.414	0.688
2.251	0.375-16	3.250	0.500	0.625	2.477	0.688
2.376	0.375-16	3.250	0.500	0.625	2.651	0.688
2.438	0.375-16	3.250	0.625	0.750	2.715	0.812
2.501	0.375-16	3.750	0.625	0.750	2.778	0.812
2.688	0.375-16	3.750	0.625	0.750	2.968	0.812
2.751	0.375-16	3.750	0.625	0.750	3.032	0.812
2.938	0.375-16	5.000	0.750	0.875	3.268	1.000
3.188	0.375-16	5.000	0.875	1.000	3.522	1.000
3.438	0.375-16	5.000	0.875	1.000	3.823	1.000

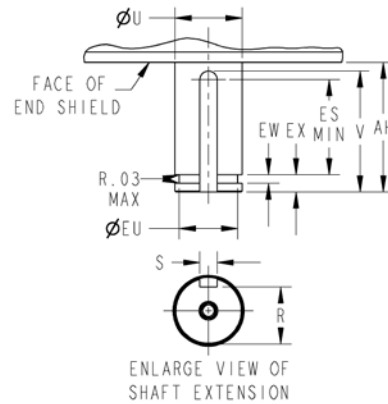


580 frame WPI solid shaft dimensions

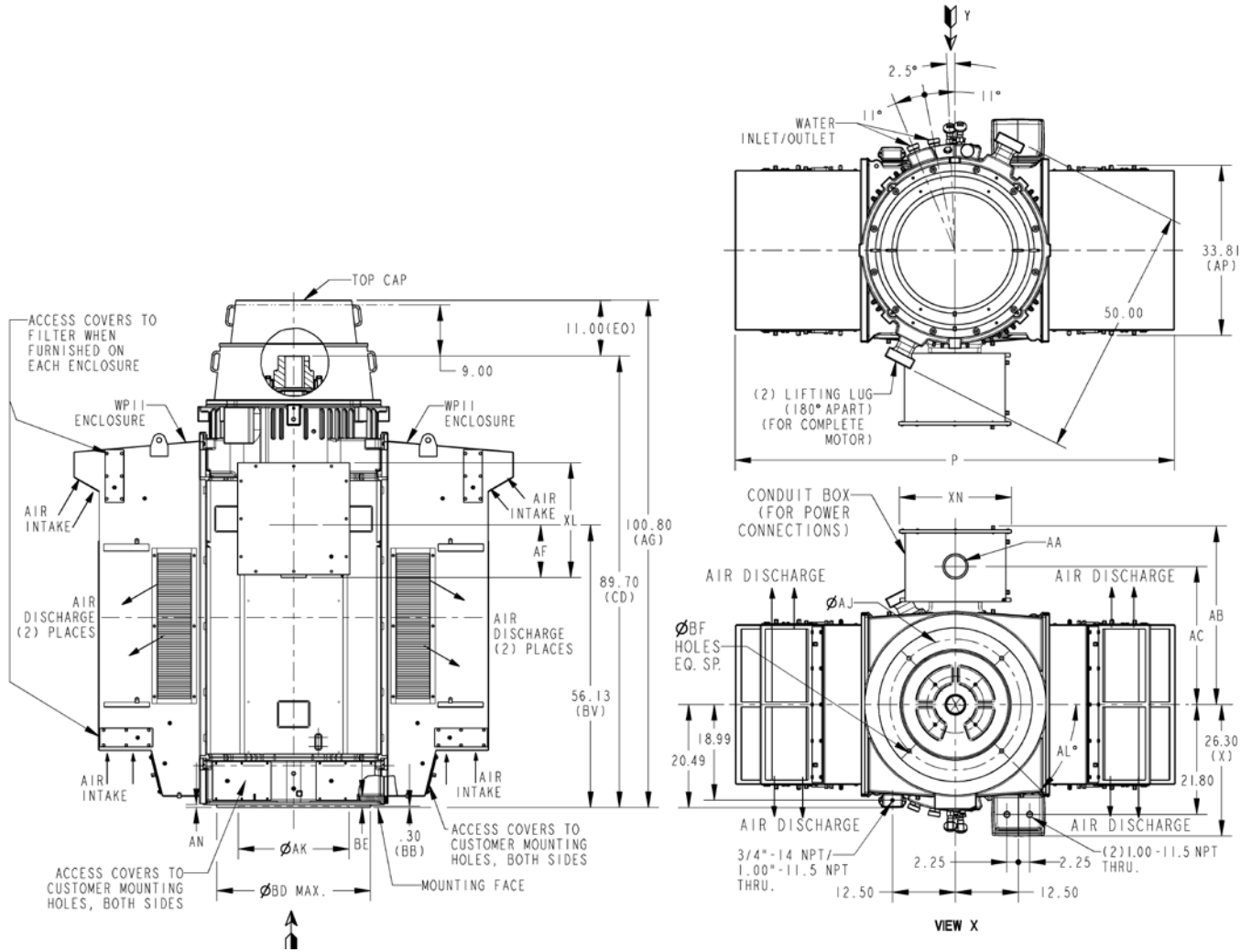


Frame	Frame Dimensions								Conduit Box Dimensions						
	BD	P	AG	AJ	AK	BE	BB Min.	BF	BV	AA	AB	AC	AF	XL	XN
5813	30.50	50.90	91.10	26.00	22.00	2.30	0.30	0.813	56.13	4"-8 NPT	35.40	27.90	10.30	23.24	22.25
5813	36.00	50.90	91.10	32.00	26.00	2.30	0.30	1.000	56.13	4"-8 NPT	40.80	32.00	16.00	28.10	28.74

Drive End Shaft Dimensions									
U	Shaft				C	Keyway			
	EU	EW	EX	AH		ES	V Min.	S	R
2.875	2.375	0.500	1.000	7.00	98.10	5.000	6.50	0.750	2.450
3.125	2.625	0.500	1.000	7.00	98.10	5.000	6.50	0.750	2.704
3.875	2.375	0.500	1.000	7.50	98.60	5.500	7.00	1.000	3.309

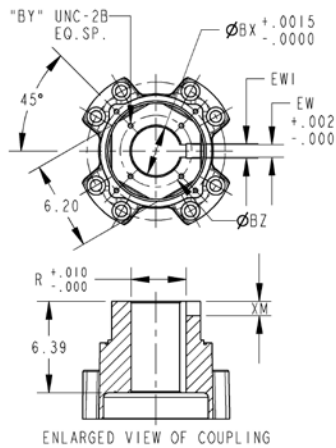


580 frame WPII hollow shaft dimensions

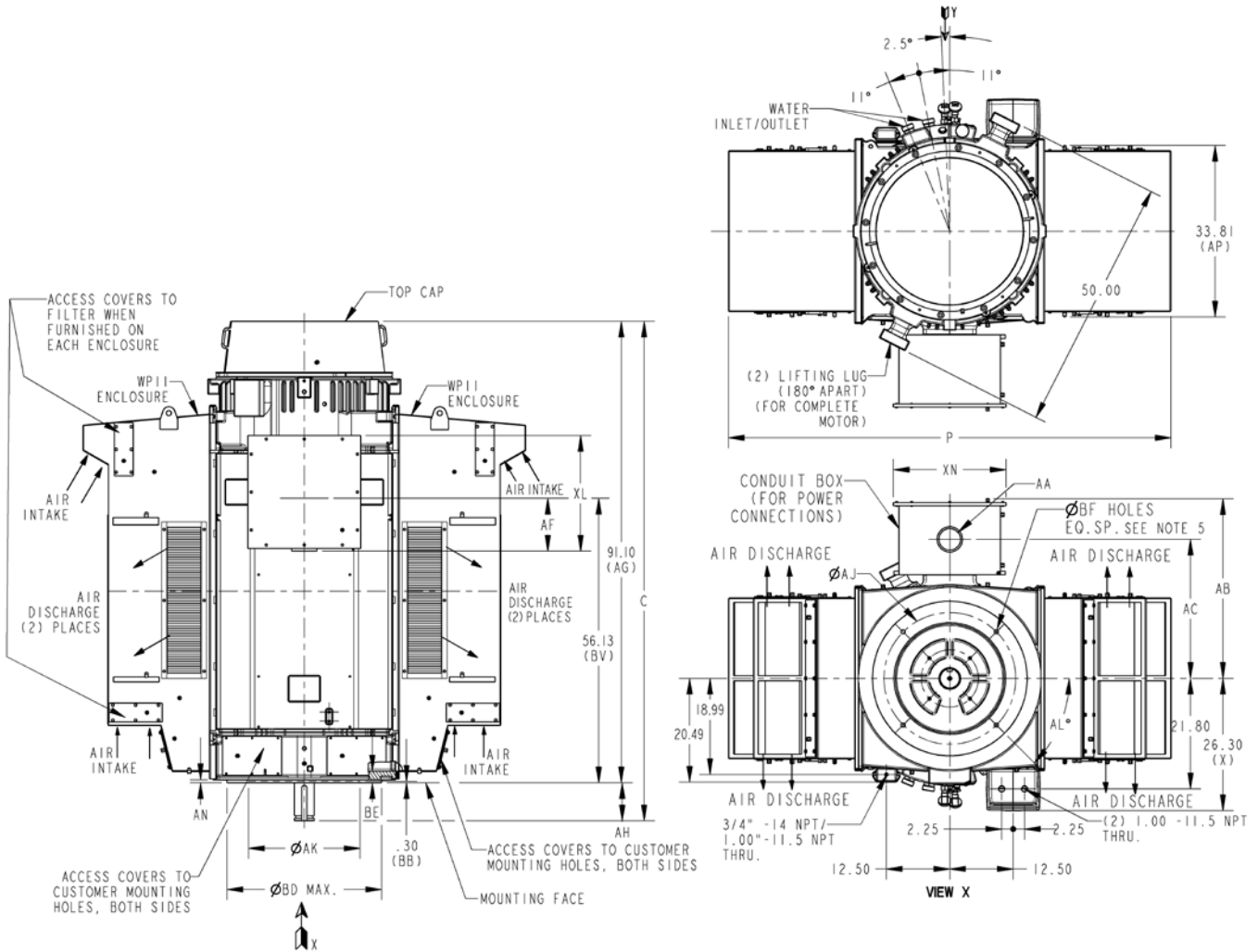


Frame	Frame Dimensions											Conduit Box Dimensions					
	BD	P	AG	CD	AJ	AK	BE	BB Min.	BF	AN	EO Min.	AA	AB	AC	AF	XL	XN
5813	30.50	86.75	100.80	89.70	26.00	22.00	2.30	0.30	0.813	0.60	11.00	4"-8 NPT	35.40	27.90	10.30	23.24	22.25
5813	36.00	86.75	100.80	89.70	32.00	26.00	2.30	0.30	1.000	NA	11.00	4"-8 NPT	40.80	32.00	16.00	28.10	28.74

Coupling Dimensions						
BX	BY	BZ	Keyway			
			EW	EW1	R	XM
2.001	0.375-16	3.250	0.500	0.625	2.223	0.688
2.188	0.375-16	3.250	0.500	0.625	2.414	0.688
2.251	0.375-16	3.250	0.500	0.625	2.477	0.688
2.376	0.375-16	3.250	0.500	0.625	2.651	0.688
2.438	0.375-16	3.250	0.625	0.750	2.715	0.812
2.501	0.375-16	3.750	0.625	0.750	2.778	0.812
2.688	0.375-16	3.750	0.625	0.750	2.968	0.812
2.751	0.375-16	3.750	0.625	0.750	3.032	0.812
2.938	0.375-16	5.000	0.750	0.875	3.268	1.000
3.188	0.375-16	5.000	0.875	1.000	3.522	1.000
3.438	0.375-16	5.000	0.875	1.000	3.823	1.000

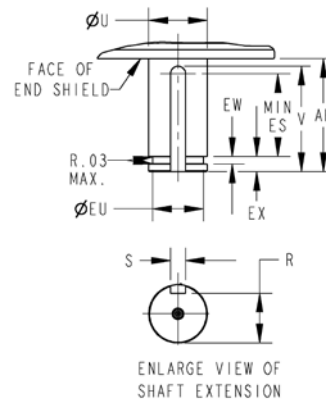


580 frame WPII solid shaft dimensions

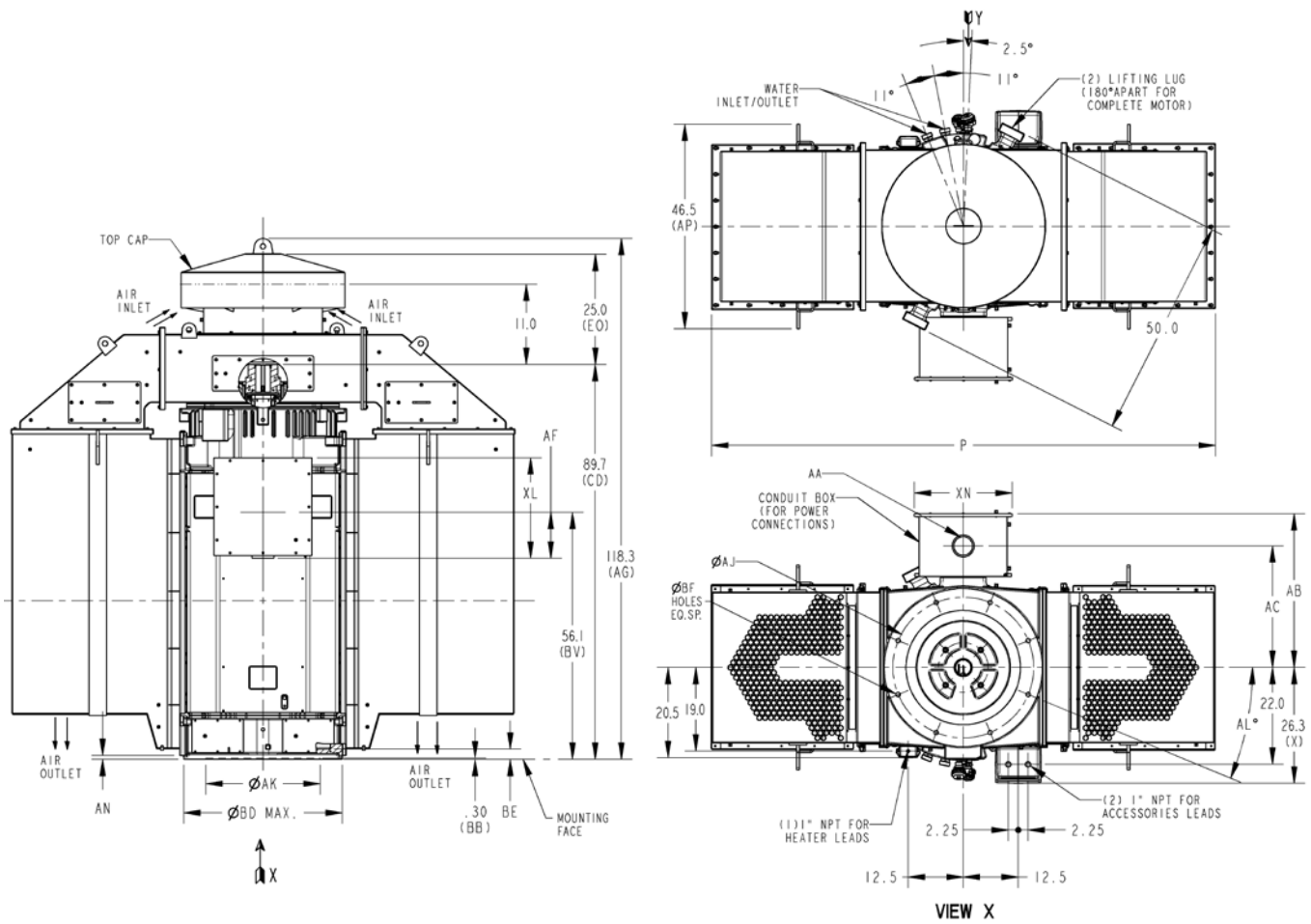


Frame	Frame Dimensions								Conduit Box Dimensions						
	BD	P	AG	AJ	AK	BE	BB Min.	BF	AN	AA	AB	AC	AF	XL	XN
5813	30.50	86.75	91.10	26.00	22.00	2.30	0.30	0.813	0.60	4"-8 NPT	35.40	27.90	10.30	23.24	22.25
5813	36.00	86.75	91.10	32.00	26.00	2.30	0.30	1.000	NA	4"-8 NPT	40.80	32.00	16.00	28.10	28.74

Drive End Shaft Dimensions									
U	Shaft				C	Keyway			
	EU	EW	EX	AH		ES	V Min.	S	R
2.875	2.375	0.500	1.000	7.00	98.10	5.000	6.50	0.750	2.450
3.125	2.625	0.500	1.000	7.00	98.10	5.000	6.50	0.750	2.704
3.875	2.375	0.500	1.000	7.50	98.60	5.500	7.00	1.000	3.309

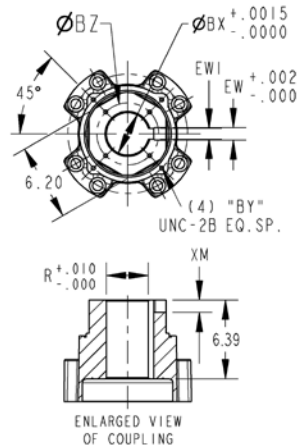


580 frame TEAAC hollow shaft dimensions

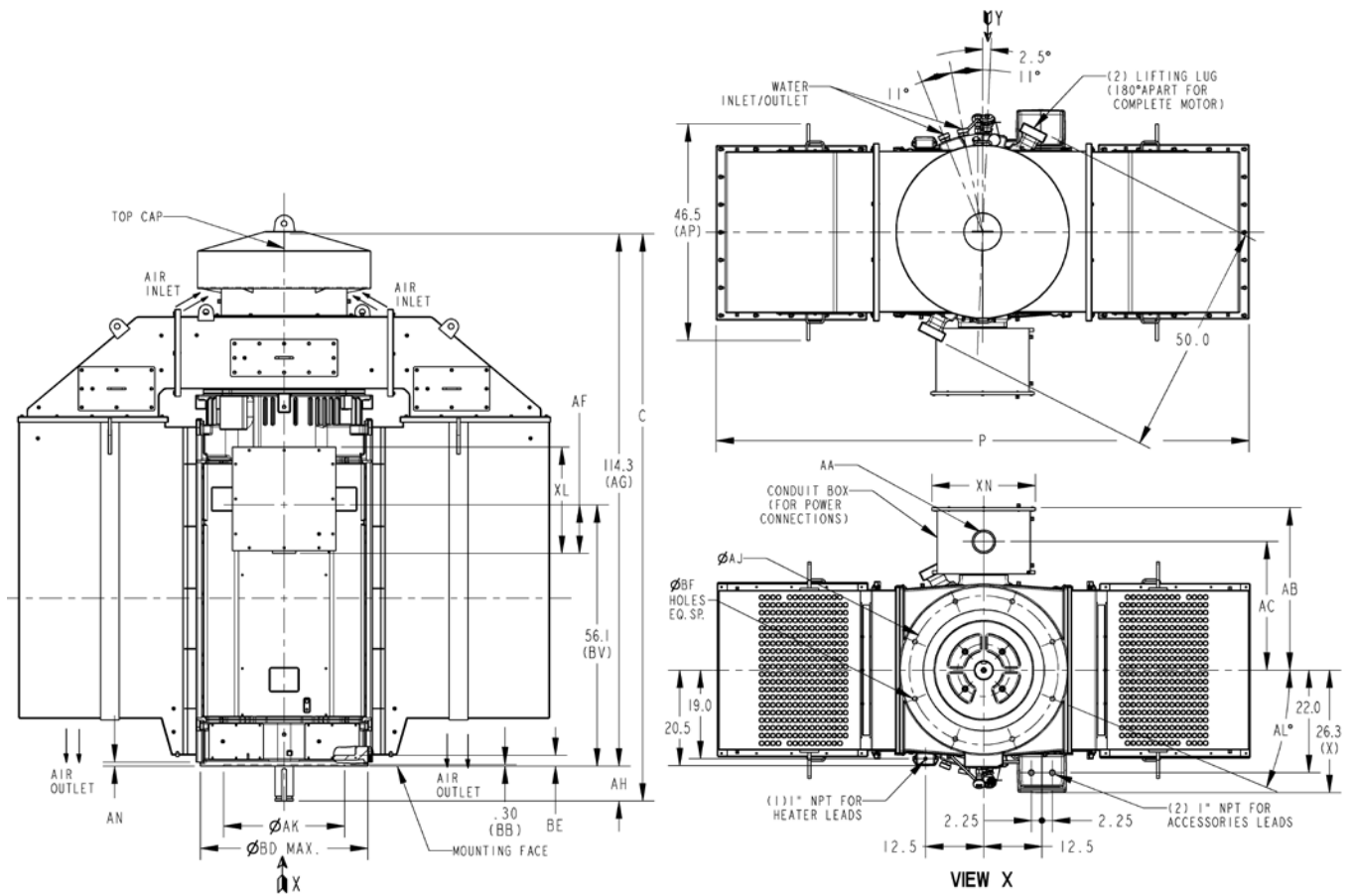


Frame	Frame Dimensions										Conduit Box Dimensions						
	BD	P	AG	CD	AJ	AK	BE	BB Min.	BF	BV	EO Min.	AA	AB	AC	AF	XL	XN
5813	30.50	114.80	118.30	89.70	26.00	22.00	2.30	0.30	0.813	56.10	25.00	4"-8 NPT	35.40	27.90	10.30	23.24	22.25
5813	36.00	114.80	118.30	89.70	32.00	26.00	2.30	0.30	1.000	56.10	25.00	4"-8 NPT	40.80	32.00	16.00	28.10	28.74

Coupling Dimensions						
BX	BY	BZ	Keyway			
			EW	EW1	R	XM
2.001	0.375-16	3.250	0.500	0.625	2.223	0.688
2.188	0.375-16	3.250	0.500	0.625	2.414	0.688
2.251	0.375-16	3.250	0.500	0.625	2.477	0.688
2.376	0.375-16	3.250	0.500	0.625	2.651	0.688
2.438	0.375-16	3.250	0.625	0.750	2.715	0.812
2.501	0.375-16	3.750	0.625	0.750	2.778	0.812
2.688	0.375-16	3.750	0.625	0.750	2.968	0.812
2.751	0.375-16	3.750	0.625	0.750	3.032	0.812
2.938	0.375-16	5.000	0.750	0.875	3.268	1.000
3.188	0.375-16	5.000	0.875	1.000	3.522	1.000
3.438	0.375-16	5.000	0.875	1.000	3.823	1.000

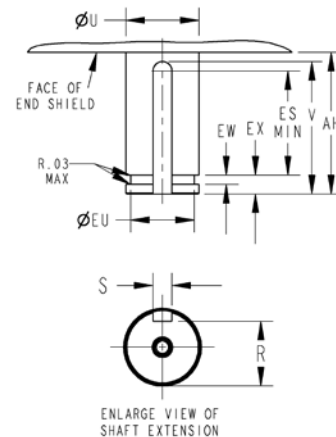


580 frame TEAAC solid shaft dimensions



Frame	Frame Dimensions									Conduit Box Dimensions					
	BD	P	AG	AJ	AK	BE	BB Min.	BF	AN	AA	AB	AC	AF	XL	XN
5813	30.50	114.80	114.30	26.00	22.00	2.30	0.30	0.813	0.60	4"-8 NPT	35.40	27.90	10.30	23.24	22.25
5813	36.00	114.80	114.30	32.00	26.00	2.30	0.30	1.000	NA	4"-8 NPT	40.80	32.00	16.00	28.10	28.74

Drive End Shaft Dimensions										
Shaft					C	Keyway				
U	EU	EW	EX	AH		ES	V Min.	S	R	
2.875	2.375	0.500	1.000	7.00	125.3	5.000	6.50	0.750	2.450	
3.125	2.625	0.500	1.000	7.00	125.3	5.000	6.50	0.750	2.704	
3.875	2.375	0.500	1.000	7.50	125.8	5.500	7.00	1.000	3.309	



WOLONG

Power your future



www.wolongamerica.com

GE is a trademark of General Electric Company. Manufactured under trademark license.
©2024, Wolong Electric America LLC. All rights reserved
NEMA Premium is a trademark of NEMA.
GEA30823-EN (8/2024)