

WOLONG
Power your future



Ultra[®] Series Irrigation-Duty Pump Motors

WPI Vertical Hollow Shaft
213-5813 Frame
5-1750 HP



Solidly Built Motors

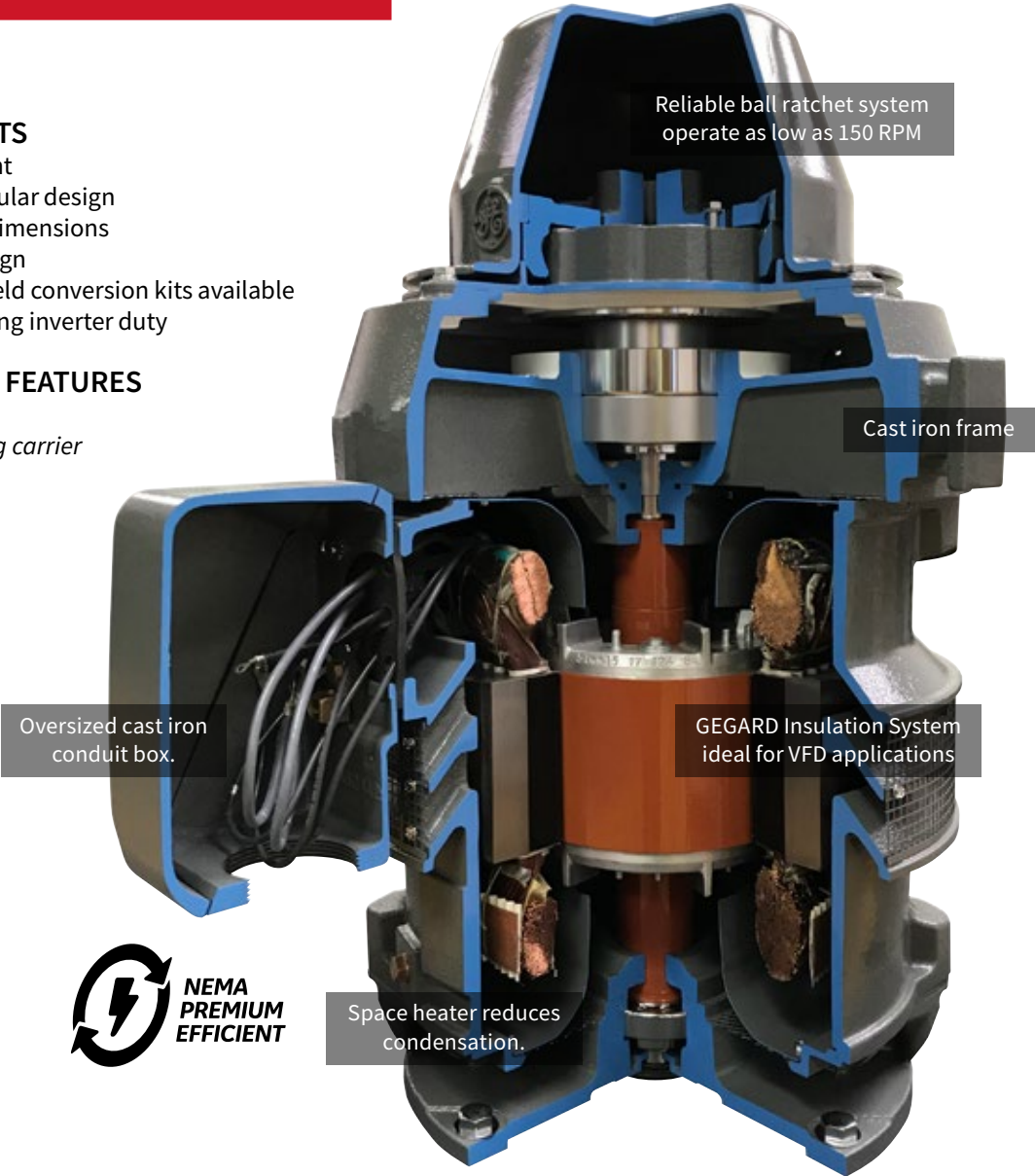
Engineered to Last

FEATURES & BENEFITS

- NEMA Premium Efficient
- Standardized and modular design
- Industry standard CD dimensions
- Innovative cooling design
- NRR to SRC coupling field conversion kits available
- 3 Year Warranty including inverter duty

"PLUS" ADDITIONAL FEATURES

- *Winding thermostats*
- *Insulated thrust bearing carrier*
- *Shaft grounding ring on non-drive end*
- *Aegis™ SGR extended warranty*



Product Name	WPI Ultra	WPI Ultra+
Enclosure/Shaft Type	WPI hollow shaft	
Speed	1200, 1800, 3600	
Voltages (60Hz)	200-230/460, 230/460, 460 PWS, 460/575	230/460, 460, 460 PWS, 575, 2300/4000, 6600
Base/Face	P-Base	
Thrust	100 High or 175, 300, 500% Extra High	
HP Range (Standard)	5 - 400	40 - 600
HP Range (Custom)	5 - 1750	40 - 1750

▼ Reliable Technology

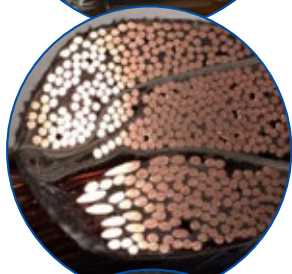
GEGARD insulation offers added protection in severe applications.

Our GEGARD insulation system is designed to excel in variable frequency drive applications where lesser designs often short circuit and cause overcurrent trips.



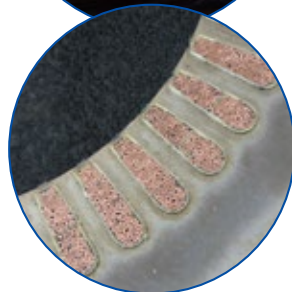
Rotational Varnish Application

Motor coils are rotationally varnished with a “Trickle Treat” process while an electric current is passed through the windings to ensure a penetrating, thorough and even coating. This proven process fills air gaps that could cause corona inception damage during operation.



Wire Bonding

Resin penetrates deep into tightly packed coil wire creating a strong bond that guards against end-turn vibration.



Moisture Protection

Contaminants can't penetrate carefully and tightly packed stator coils bonded by deep resin penetration into the slots.

Guarding Against Corrosion

Pump motors may sit dormant for many weeks and may be subject to temperature and barometric changes, especially with outdoor applications. This environment causes condensation to collect on metal surfaces promoting corrosion and leading to unexpected failures. Standard space heaters are wrapped around the winding coils. They work like an electric blanket transferring a small electric current into heat to keep the motor warm, dry and ready to start when operators need them most.



Standard Ratings

WPI Ultra Hollow Shaft 5-400 HP

HP	RPM	Volts	Frame	Thrust Down	Cat. No.	Model No.	Motor List Price	Coupling BX	Coupling Key	Price Symbol	Normally Stocked	Notes
5	3600	230/460	L213TP10	1,900	V4000	5KS213DAE5045	\$5,366	1	1/4	G6-7VHS	N	111
5	1800	230/460	L213TP10	2,071	V4008	5KS213DAE6064	\$5,508	1	1/4	G6-7VHS	Y	111
7.5	3600	230/460	L213TP10	1,900	V4001	5KS213DAE5043	\$5,779	1	1/4	G6-7VHS	N	111
7.5	1800	230/460	L213TP10	2,071	V4009	5KS213DAE6065	\$5,685	1	1/4	G6-7VHS	Y	111
10	3600	230/460	L213TP10	1,900	V4002	5KS213DAE5044	\$6,246	1	1/4	G6-7VHS	N	111
10	1800	230/460	L215TP10	2,071	V4010	5KS215DAE6039	\$6,094	1	1/4	G6-7VHS	Y	111
10	1200	230/460	L256TP12	3,379	V4019	5KS256DAE7023	\$8,177	1	1/4	G6-7VHS	N	111
15	3600	230/460	L215TP10	1,850	V4003	5KS215DAE5038	\$6,672	1	1/4	G6-7VHS	N	111
15	1800	230/460	L254TP10	2,575	V4011	5KS254DAE6049	\$6,731	1	1/4	G6-7VHS	Y	111
15	1800	230/460	L254TP10	2,575	V4035	5KS254DAE6055	\$6,731	1 1/4	1/4	G6-7VHS	N	111
15	1800	230/460	L254TP16	2,575	V4012	5KS254DAE6050	\$6,731	1	1/4	G6-7VHS	Y	111
15	1800	230/460	L254TP16	2,575	V4036	5KS254DAE6054	\$6,731	1 1/4	1/4	G6-7VHS	N	111
15	1200	230/460	L284TP12	3,379	V4020	5KS284DAE7026	\$8,961	1	1/4	G6-7VHS	N	111, 166
20	3600	230/460	L254TP10	2,600	V4004	5KS256DAE5035	\$7,192	1	1/4	G6-7VHS	N	111
20	3600	230/460	L254TP12	2,600	V4033	5KS256DAE5039	\$7,192	1	1/4	G6-7VHS	N	111
20	1800	230/460	L256TP12	2,575	V4013	5KS256DAE6065	\$7,702	1	1/4	G6-7VHS	Y	111
20	1800	230/460	L256TP12	2,575	V4037	5KS256DAE6075	\$7,702	1 1/4	1/4	G6-7VHS	N	111
20	1800	230/460	L256TP16	2,575	V4014	5KS256DAE6066	\$7,702	1	1/4	G6-7VHS	Y	111
20	1800	230/460	L256TP16	2,575	V4038	5KS256DAE6076	\$7,702	1 1/4	1/4	G6-7VHS	N	111
20	1200	230/460	L286TP12	3,379	V4021	5KS286DAE7028	\$11,163	1	1/4	G6-7VHS	N	111, 166
25	3600	230/460	L256TP12	2,600	V4005	5KS256DAE5036	\$8,248	1	1/4	G6-7VHS	N	111
25	1800	230/460	L284TP12	2,960	V4015	5KS284DAE6061	\$8,788	1	1/4	G6-7VHS	Y	111, 166
25	1800	230/460	L284TP16	2,960	V4016	5KS284DAE6062	\$8,788	1	1/4	G6-7VHS	Y	111, 166
25	1800	230/460	L284TP16	2,960	V4039	5KS284DAE6071	\$8,788	1 1/4	1/4	G6-7VHS	N	111, 166
25	1200	230/460	L324TP16	6,700	V4603	5KS324DAJ7005	\$12,954	1	1/4	G6-7VHS	N	111
30	3600	230/460	L284TP12	2,600	V4006	5KS284DAE5038	\$8,433	1	1/4	G6-7VHS	N	111, 166
30	1800	230/460	L286TP12	2,960	V4017	5KS286DAE6059	\$9,633	1	1/4	G6-7VHS	Y	111, 166
30	1800	230/460	L286TP16	2,960	V4018	5KS286DAE6060	\$9,633	1	1/4	G6-7VHS	Y	111, 166
30	1800	200-230/460	L286TP16	2,960	V4034	5KS286DAE6072	\$9,633	1 1/4	1/4	G6-7VHS	N	111, 166
30	1200	230/460	L326TP16	6,700	V4604	5KS326DAJ7005	\$13,438	1 1/4	3/8	G6-7VHS	N	111
40	3600	230/460	L286TP12	2,500	V4007	5KS286DAE5040	\$10,704	1	1/4	G6-7VHS	N	111, 167
40	1800	200-230/460	L324TP12	6,320	V4455	5KS324DAJ6055	\$11,021	1 3/16	1/4	G6-7VFPD	N	111, 117
40	1800	230/460	L324TP12	6,324	V4412	5KS324DAJ6020	\$11,521	1 1/4	1/4	G6-7VHS	Y	111, 117
40	1800	200-230/460	L324TP12	6,320	V4456	5KS324DAJ6056	\$11,021	1 1/2	3/8	G6-7VFPD	N	111, 117
40	1800	200-230/460	L324TP16	6,320	V4457	5KS324DAJ6057	\$11,021	1 3/16	1/4	G6-7VFPD	N	111, 117

The motor list price includes "Standard" sized NRR and SRC. Additional sizes are available at additional cost.

Notes:

- 111 Usable on 190/380 volts, 50 Hz at 1.0 Service Factor and derated to next lower HP
- 117 Also certified for UL Fire Pump Usage
- 166 137 cubic inch conduit box
- 167 346 cubic inch conduit box



HP	RPM	Volts	Frame	Thrust Down	Cat. No.	Model No.	Motor List Price	Coupling BX	Coupling Key	Price Symbol	Normally Stocked	Notes
40	1800	230/460	L324TP16	6,324	V4413	5KS324DAJ6005	\$11,521	1 1/4	1/4	G6-7VHS	Y	111
40	1800	200-230/460	L324TP16	6,320	V4458	5KS324DAJ6058	\$11,021	1 1/2	3/8	G6-7VFPD	N	111, 117
40	1800	460 PWS	L324TP16	6,324	V4414	5KS324DAJ6008	\$11,521	1 1/4	1/4	G6-7VHS	Y	110
40	1800	460 PWS	L324TP16	6,320	V4043	5KS324DAJ6066	\$11,521	1 1/2	3/8	G6-7VHS	N	110, 117
40	1200	230/460	L364TP16	6,700	V4605	5KS364DAJ7005	\$16,034	1 1/4	3/8	G6-7VHS	Y	111, 116, 167
50	3600	230/460	L324TP12	6,300	V4209	5KS324DAJ5020	\$14,038	1	1/4	G6-7VHS	N	111
50	3600	230/460	L324TP16	6,300	V4210	5KS324DAJ5005	\$14,038	1	1/4	G6-7VHS	N	111
50	1800	200-230/460	L326TP12	6,320	V4459	5KS326DAJ6061	\$11,776	1 3/16	1/4	G6-7VFPD	N	111, 117
50	1800	230/460	L326TP12	6,324	V4453	5KS326DAJ6054	\$12,375	1 1/4	1/4	G6-7VHS	N	111, 117
50	1800	200-230/460	L326TP12	6,320	V4460	5KS326DAJ6062	\$11,776	1 1/2	3/8	G6-7VFPD	N	111, 117
50	1800	200-230/460	L326TP16	6,320	V4461	5KS326DAJ6063	\$11,776	1 3/16	1/4	G6-7VFPD	N	111, 117
50	1800	230/460	L326TP16	6,324	V4415	5KS326DAJ6005	\$12,375	1 1/4	1/4	G6-7VHS	Y	111, 117
50	1800	200-230/460	L326TP16	6,320	V4462	5KS326DAJ6064	\$11,776	1 1/2	3/8	G6-7VFPD	N	111, 117
50	1800	460 PWS	L326TP16	6,324	V4416	5KS326DAJ6008	\$12,375	1 1/4	1/4	G6-7VHS	Y	110
50	1800	460 PWS	L326TP16	6,320	V4041	5KS326DAJ6069	\$12,375	1 1/2	3/8	G6-7VHS	N	110, 117
50	1200	230/460	L365TP16	6,700	V4606	5KS365DAJ7005	\$19,129	1 1/4	3/8	G6-7VHS	N	111, 116, 167
60	3600	460 PWS	L326TP16	6,300	V4211	5KS326DAJ5008	\$14,838	1 1/4	1/4	G6-7VHS	N	110
60	1800	200-230/460	L364TP12	6,244	V4463	5KS364DAJ6052	\$13,187	1 3/16	1/4	G6-7VFPD	N	111, 117, 163
60	1800	200-230/460	L364TP12	6,244	V4464	5KS364DAJ6053	\$13,187	1 1/2	3/8	G6-7VFPD	N	111, 117, 163
60	1800	200-230/460	L364TP16	6,244	V4465	5KS364DAJ6054	\$13,187	1 3/16	1/4	G6-7VFPD	N	111, 117, 163
60	1800	230/460	L364TP16	6,244	V4417	5KS364DAJ6005	\$13,882	1 1/4	1/4	G6-7VHS	Y	111, 116, 117, 167
60	1800	200-230/460	L364TP16	6,244	V4466	5KS364DAJ6055	\$13,187	1 1/2	3/8	G6-7VFPD	N	111, 117, 163
60	1800	460 PWS	L364TP16	6,244	V4418	5KS364DAJ6008	\$13,882	1 1/4	1/4	G6-7VHS	Y	110, 116, 167
60	1800	575	L364TP16	6,244	V4496	5KS364DAJ6058	\$13,187	1 3/16	1/4	G6-7VFPD	N	117, 167
60	1200	460 PWS	L404TP16	7,800	V4607	5KS404DAJ7008	\$21,808	1 1/2	3/8	G6-7VHS	N	110
75	3600	460 PWS	L364TP16	6,500	V4212	5KS364DAJ5008	\$17,855	1 1/4	1/4	G6-7VHS	N	110, 116, 167
75	1800	200-230/460	L365TP12	6,244	V4467	5KS365DAJ6076	\$16,079	1 3/16	1/4	G6-7VFPD	N	111, 117, 163
75	1800	200-230/460	L365TP12	6,244	V4468	5KS365DAJ6077	\$16,079	1 1/2	3/8	G6-7VFPD	N	111, 117, 163
75	1800	200-230/460	L365TP16	6,244	V4469	5KS365DAJ6078	\$16,079	1 3/16	1/4	G6-7VFPD	N	111, 117, 163
75	1800	230/460	L365TP16	6,244	V4419	5KS365DAJ6005	\$16,927	1 1/4	1/4	G6-7VHS	Y	111, 116, 117, 163
75	1800	200-230/460	L365TP16	6,244	V4470	5KS365DAJ6079	\$16,079	1 1/2	3/8	G6-7VFPD	N	111, 117, 163

The motor list price includes "Standard" sized NRR and SRC. Additional sizes are available at additional cost.

Notes:

- 110 Usable on 380 volts, 50 Hz at 1.0 Service Factor and derated to next lower HP
- 111 Usable on 190/380 volts, 50 Hz at 1.0 Service Factor and derated to next lower HP
- 113 Aegis Shaft Grounding ring on bearing cap (40-100HP)
- 116 Maximum BX diameter is 1.5 inches.
- 117 Also certified for UL Fire Pump Usage
- 163 700 cubic inch conduit box
- 167 346 cubic inch conduit box

Standard Ratings

WPI Ultra Hollow Shaft

5-400 HP

HP	RPM	Volts	Frame	Thrust Down	Cat. No.	Model No.	Motor List Price	Coupling BX	Coupling Key	Price Symbol	Normally Stocked	Notes
75	1800	460 PWS	L365TP16	6,244	V4420	5KS365DAJ6008	\$16,927	1 1/4	1/4	G6-7VHS	Y	110, 116, 167
75	1800	460 PWS	L365TP16	6,244	V4040	5KS365DAJ6085	\$16,927	1 1/2	3/8	G6-7VHS	N	110, 116, 117, 167
75	1200	460 PWS	L405TP16	16,516	V4516	5KS405DAJ7031	\$29,399	1 1/4	1/4	G6-7VHS	N	110, 113
75	1200	460 PWS	L405TP16	7,800	V4608	5KS405DAJ7008	\$25,821	1 1/2	3/8	G6-7VHS	N	110
100	1800	200-230/460	L404TP16	7,539	V4471	5KS404DAJ6062	\$20,900	1 3/16	1/4	G6-7VFPD	N	111, 117
100	1800	200-230/460	L404TP16	7,539	V4472	5KS404DAJ6063	\$20,900	1 1/2	3/8	G6-7VFPD	N	111, 117
100	1800	230/460	L404TP16	14,609	V4422	5KS404DAJ6005	\$22,775	1 1/2	3/8	G6-7VHS	Y	111
100	1800	200-230/460	L404TP16	7,539	V4473	5KS404DAJ6064	\$20,900	1 11/16	3/8	G6-7VFPD	N	111, 117
100	1800	460 PWS	L404TP16	7,539	V4421	5KS404DAJ6008	\$22,001	1 1/2	3/8	G6-7VHS	Y	110, 117
100	1800	460 PWS	L404TP16	14,609	V4423	5KS404DAJ6022	\$22,775	1 1/2	3/8	G6-7VHS	Y	110
100	1200	460 PWS	L444TP16	16,000	V4609	5KS444DAJ7008	\$34,305	1 11/16	3/8	G6-7VHS	N	110, 163
100	1200	460 PWS	L444TP20	16,000	V4611	5KS444DAJ7039	\$34,305	1 1/2	3/8	G6-7VHS	N	110, 163
100	900	460	L445TP24	17,830	V4852	5KS445DAJ8039	\$41,220	2 3/16	1/2	G6-7VHS	N	163
125	1800	460/575	L405TP16	7,539	V4474	5KS405DAJ6057	\$25,788	1 3/16	1/4	G6-7VFPD	N	110, 117
125	1800	460 PWS	L405TP16	7,539	V4424	5KS405DAJ6008	\$27,146	1 1/2	3/8	G6-7VHS	Y	110, 117
125	1800	460/575	L405TP16	7,539	V4475	5KS405DAJ6058	\$25,788	1 1/2	3/8	G6-7VFPD	N	110, 117
125	1800	460 PWS	L405TP16	14,609	V4425	5KS405DAJ6022	\$28,125	1 1/2	3/8	G6-7VHS	Y	110
125	1800	460/575	L405TP16	7,539	V4476	5KS405DAJ6059	\$25,788	1 11/16	3/8	G6-7VFPD	N	110, 117
125	1200	460 PWS	L445TP16	24,668	V4449	5KS445DAJ7051	\$52,267	1 11/16	3/8	G6-7VHS	N	163
125	1200	460	L445TP16	16,083	V4612	5KS445DAJ7050	\$52,267	1 15/16	1/2	G6-7VHS	N	163
125	1200	460 PWS	L445TP20	24,668	V4445	5KS445DAJ7053	\$52,267	1 11/16	3/8	G6-7VHS	N	163
125	720	460 PWS	L445TP20	18,417	V4452	5KS445DAJ508	\$106,030	2 3/16	1/2	G6-7VHS	N	110, 117
150	1800	460 PWS	L444TP16	14,462	V4426	5KS444DAJ6008	\$34,409	1 11/16	3/8	G6-7VHS	Y	110, 117, 163
150	1800	460 PWS	L444TP16	22,551	V4444	5KS444DAJ6074	\$35,784	1 11/16	3/8	G6-7VHS	Y	110, 163
150	1800	460/575	L444TP20	14,462	V4477	5KS444DAJ6092	\$32,689	1 1/2	3/8	G6-7VFPD	N	110, 117, 163
150	1800	460 PWS	L444TP20	14,462	V3666	5KS444DAJ6037	\$34,409	1 11/16	3/8	G6-7VHS	N	110, 163
150	1800	460/575	L444TP20	14,462	V4478	5KS444DAJ6093	\$32,689	1 11/16	3/8	G6-7VFPD	N	110, 117, 163
150	1800	460/575	L444TP20	14,462	V4479	5KS444DAJ6094	\$32,689	1 15/16	1/2	G6-7VFPD	N	110, 117, 163
150	1200	460 PWS	L445TP16	25,024	V4450	5KS445DAJ7054	\$53,350	1 11/16	3/8	G6-7VHS	N	163
150	1200	460 PWS	L445TP20	25,024	V4446	5KS445DAJ7052	\$53,350	1 11/16	3/8	G6-7VHS	N	163
200	1800	460 PWS	L444TP16	22,551	V4427	5KS444DAJ6020	\$45,138	1 11/16	3/8	G6-7VHS	Y	110, 117, 163
200	1800	460/575	L444TP20	14,462	V4480	5KS444DAJ6095	\$42,880	1 1/2	3/8	G6-7VFPD	N	110, 117, 163

The motor list price includes "Standard" sized NRR and SRC. Additional sizes are available at additional cost.

Notes:

- 110 Usable on 380 volts, 50 Hz at 1.0 Service Factor and derated to next lower HP
- 111 Usable on 190/380 volts, 50 Hz at 1.0 Service Factor and derated to next lower HP
- 113 Aegis Shaft Grouding ring on bearing cap (40-100HP)
- 116 Maximum BX diameter is 1.5 inches.
- 117 Also certified for UL Fire Pump Usage
- 163 700 cubic inch conduit box
- 167 346 cubic inch conduit box



HP	RPM	Volts	Frame	Thrust Down	Cat. No.	Model No.	Motor List Price	Coupling BX	Coupling Key	Price Symbol	Normally Stocked	Notes
200	1800	460/575	L444TP20	14,462	V4481	5KS444DAJ6096	\$42,880	1 11/16	3/8	G6-7VFPD	N	110, 117, 163
200	1800	460 PWS	L444TP20	22,551	V4428	5KS444DAJ6025	\$45,138	1 11/16	3/8	G6-7VHS	Y	110, 163
200	1800	460/575	L444TP20	14,462	V4482	5KS444DAJ6097	\$42,880	1 15/16	1/2	G6-7VFPD	N	110, 117, 163
200	1200	460 PWS	L447TP20	22,551	V4451	5KS447DAJ7038	\$71,975	1 11/16	3/8	G6-7VHS	N	163
250	1800	460/575	L445TP20	14,462	V4483	5KS445DAJ6087	\$53,868	1 1/2	3/8	G6-7VFPD	N	110, 117, 164
250	1800	460/575	L445TP20	14,462	V4484	5KS445DAJ6088	\$53,868	1 11/16	3/8	G6-7VFPD	N	110, 117, 164
250	1800	460 PWS	L445TP20	22,551	V4429	5KS445DAJ6008	\$56,704	1 11/16	3/8	G6-7VHS	Y	110, 117, 164
250	1800	460/575	L445TP20	14,462	V4485	5KS445DAJ6089	\$53,868	1 15/16	1/2	G6-7VFPD	N	110, 117, 164
250	1800	460 PWS	L445TP24	22,551	V4454	5KS445DAJ6086	\$56,704	1 11/16	3/8	G6-7VHS	N	110, 117, 164
250	1200	460 PWS	L447TP20	24,668	V4447	5KS447DAJ7039	\$73,250	1 15/16	1/2	G6-7VHS	N	164
300	1800	460/575	L447TP20	14,188	V4486	5KS447DAJ6062	\$62,072	1 11/16	3/8	G6-7VFPD	N	110, 117, 164
300	1800	460 PWS	L447TP20	22,277	V4430	5KS447DAJ6008	\$65,340	1 11/16	3/8	G6-7VHS	Y	110, 117, 164
300	1800	460/575	L447TP20	14,188	V4487	5KS447DAJ6063	\$62,072	1 15/16	1/2	G6-7VFPD	N	110, 117, 164
300	1800	460/575	L447TP20	14,188	V4488	5KS447DAJ6064	\$62,072	2 3/16	1/2	G6-7VFPD	N	110, 117, 164
300	1200	460 PWS	L449TP20	24,668	V4448	5KS449DAJ7039	\$75,250	1 15/16	1/2	G6-7VHS	N	164
350	1800	460/575	L447TP20	14,188	V4489	5KS447DAJ6065	\$69,110	1 11/16	3/8	G6-7VFPD	N	110, 117, 164
350	1800	460 PWS	L447TP20	22,277	V4431	5KS447DAJ6020	\$72,748	1 11/16	3/8	G6-7VHS	Y	110, 117, 164
350	1800	460/575	L447TP20	14,188	V4490	5KS447DAJ6066	\$69,110	1 15/16	1/2	G6-7VFPD	N	110, 117, 164
350	1800	460/575	L447TP20	14,188	V4491	5KS447DAJ6067	\$69,110	2 3/16	1/2	G6-7VFPD	N	110, 117, 164
350	1800	460/575	L447TP20	14,188	V4492	5KS447DAJ6068	\$69,110	2 3/8	5/8	G6-7VFPD	N	110, 117, 164
400	1800	460/575	L449TP20	14,188	V4493	5KS449DAJ6095	\$76,805	1 15/16	1/2	G6-7VFPD	N	110, 117, 165
400	1800	460/575	L449TP20	14,188	V4494	5KS449DAJ6096	\$76,805	2 3/16	1/2	G6-7VFPD	N	110, 117, 165
400	1800	460/575	L449TP20	14,188	V4495	5KS449DAJ6097	\$76,805	2 3/8	5/8	G6-7VFPD	N	110, 117, 165
400	1800	460 PWS	L449TP20	20,800	V4432	5KS449DAJ6008	\$80,846	1 15/16	1/2	G6-7VHS	Y	110, 117, 165
400	1800	460 PWS	L449TP20	30,000	V4433	5KS449DAJ6022	\$86,892	1 15/16	1/2	G6-7VHS	N	110, 156, 165
400	1200	460	B5011TP24	15,850	V4613	5KS511DAJ7027	\$120,878	2 3/16	1/2	G6-7VHS	N	165

The motor list price includes "Standard" sized NRR and SRC. Additional sizes are available at additional cost.

Notes:

- 110 Usable on 380 volts, 50 Hz at 1.0 Service Factor and derated to next lower HP
- 117 Also certified for UL Fire Pump Usage
- 156 With Spherical Roller Bearing water cooling required
- 163 700 cubic inch conduit box
- 164 1260 cubic inch conduit box
- 165 2500 cubic inch conduit box 2-4" NPT

Standard Ratings

WPI Ultra+ Hollow Shaft

40-1750 HP

HP	RPM	Volts	Frame	Thrust Down	Cat. No.	Model No.	Motor List Price	Coupling BX	Coupling Key	Price Symbol	Normally Stocked	Notes
40	1800	230/460	L324TP12	6,324	V4514	5KS324DAJ6052	\$12,394	1 1/4	1/4	G6-7VHS	N	111, 113
40	1800	230/460	L324TP16	6,324	V4513	5KS324DAJ6021	\$12,394	1 1/4	1/4	G6-7VHS	N	111, 113
40	1800	230/460	L324TP16	6,324	V4044	5KS324DAJ6067	\$12,394	1 1/2	3/8	G6-7VHS	N	111, 113
40	1800	575	L324TP16	5,700	V4550	5KS324DAJ6022	\$12,394	1 1/4	1/4	G6-7VHS	N	113
50	1800	230/460	L326TP16	6,324	V4515	5KS326DAJ6020	\$13,405	1 1/4	1/4	G6-7VHS	Y	111, 113
50	1800	230/460	L326TP16	6,324	V4046	5KS326DAJ6070	\$13,405	1 1/2	3/8	G6-7VHS	N	111, 113
50	1800	575	L326TP16	5,700	V4551	5KS326DAJ6021	\$13,405	1 1/4	1/4	G6-7VHS	N	113
60	1800	460 PWS	L364TP16	6,244	V4518	5KS364DAJ6020	\$15,067	1 1/4	1/4	G6-7VHS	N	110, 113, 116, 167
60	1800	460 PWS	L364TP16	6,244	V4045	5KS364DAJ6067	\$15,067	1 1/2	3/8	G6-7VHS	N	110, 113, 116, 167
60	1800	575	L364TP16	5,700	V4552	5KS364DAJ6021	\$15,067	1 1/4	1/4	G6-7VHS	N	113, 116, 167
75	1800	460 PWS	L365TP16	6,244	V4520	5KS365DAJ6020	\$18,353	1 1/4	1/4	G6-7VHS	Y	110, 113, 116, 167
75	1800	460 PWS	L365TP16	6,244	V4042	5KS365DAJ6086	\$18,353	1 1/2	3/8	G6-7VHS	N	110, 113, 116, 167
75	1800	575	L365TP16	5,700	V4553	5KS365DAJ6021	\$18,353	1 1/4	1/4	G6-7VHS	N	113, 116, 167
75	1200	460 PWS	L405TP16	16,516	V4516	5KS405DAJ7031	\$29,399	1 1/4	1/4	G6-7VHS	N	110, 113
100	1800	460 PWS	L404TP16	14,609	V4521	5KS404DAJ6020	\$23,843	1 1/2	3/8	G6-7VHS	Y	110, 113
100	1800	575	L404TP16	6,700	V4554	5KS404DAJ6021	\$23,843	1 1/2	3/8	G6-7VHS	N	113
100	1800	575	L404TP16	6,700	V4561	5KS404DAJ6071	\$23,843	1 1/4	3/8	G6-7VHS	N	113
100	1200	460	L444TP16	16,082	V4560	5KS444DAJ7035	\$50,038	1 1/2	3/8	G6-7VHS	N	114, 132, 163
125	1800	460 PWS	L405TP16	14,609	V4524	5KS405DAJ6020	\$29,399	1 1/2	3/8	G6-7VHS	Y	111, 114, 132
125	1800	575	L405TP16	6,700	V4555	5KS405DAJ6021	\$29,399	1 1/2	3/8	G6-7VHS	N	114, 132
150	1800	460 PWS	L444TP16	14,462	V4526	5KS444DAJ6021	\$37,284	1 11/16	3/8	G6-7VHS	Y	111, 114, 132, 163
150	1800	575	L444TP16	13,500	V4556	5KS444DAJ6023	\$37,284	1 11/16	3/8	G6-7VHS	N	114, 132, 163
200	1800	460 PWS	L444TP20	22,551	V4528	5KS444DAJ6022	\$48,870	1 11/16	3/8	G6-7VHS	Y	111, 114, 132, 163
200	1800	575	L444TP20	13,500	V4557	5KS444DAJ6024	\$48,870	1 11/16	3/8	G6-7VHS	N	114, 132, 163
250	1800	460 PWS	L445TP20	22,551	V4529	5KS445DAJ6020	\$61,365	1 11/16	3/8	G6-7VHS	Y	111, 114, 132, 164
250	1800	575	L445TP20	21,100	V4558	5KS445DAJ6021	\$61,365	1 11/16	3/8	G6-7VHS	N	114, 132, 163
300	1800	460 PWS	L447TP20	22,277	V4530	5KS447DAJ6021	\$70,691	1 11/16	3/8	G6-7VHS	N	111, 114, 132, 164
300	1800	575	L447TP20	20,800	V4559	5KS447DAJ6023	\$70,691	1 11/16	3/8	G6-7VHS	N	114, 132, 164

The motor list price includes "Standard" sized NRR and SRC. Additional sizes are available at additional cost.

Notes:

- 110 Usable on 380 volts, 50 Hz at 1.0 Service Factor and derated to next lower HP
- 111 Usable on 190/380 volts, 50 Hz at 1.0 Service Factor and derated to next lower HP
- 113 Aegis Shaft Grounding ring on bearing cap (40-100HP)
- 114 Insulated Upper Bearing Carrier and Aegis Shaft Grounding ring on bearing cap (125HP and greater)
- 116 Maximum BX diameter is 1.5 inches.
- 132 Includes NC Winding Thermostats
- 156 With Spherical Roller Bearing water cooling required
- 163 700 cubic inch conduit box
- 164 1260 cubic inch conduit box
- 165 2500 cubic inch conduit box 2-4" NPT
- 167 346 cubic inch conduit box



HP	RPM	Volts	Frame	Thrust Down	Cat. No.	Model No.	Motor List Price	Coupling BX	Coupling Key	Price Symbol	Normally Stocked	Notes
350	1800	460 PWS	L447TP20	22,277	V4531	5KS447DAJ6022	\$78,690	1 11/16	3/8	G6-7VHS	N	111, 114, 132, 164
400	1800	460 PWS	L449TP20	20,800	V4532	5KS449DAJ6021	\$87,437	1 15/16	1/2	G6-7VHS	N	111, 114, 132, 165
400	1800	460 PWS	L449TP20	30,000	V4533	5KS449DAJ6023	\$93,965	1 15/16	1/2	G6-7VHS	N	110, 114, 132, 156, 165
450	1800	460 PWS	L449TP20	30,000	V4534	5KS449DAJ6020	\$98,613	1 15/16	1/2	G6-7VHS	N	110, 114, 132, 156, 165
500	1800	460	B509TP20	31,604	V959	5KS509DAJ6028	\$180,096	2 3/16	1/2	G6-7VHS	N	110, 114, 132, 168, 176
500	1800	460 PWS	B509TP24	14,935	V954	5KS509DAJ6020	\$106,569	2 3/16	1/2	G6-7VHS	Y	110, 114, 132, 165
500	1800	460 PWS	B509TP24	27,484	V956	5KS509DAJ6070	\$111,881	2 3/16	1/2	G6-7VHS	Y	110, 114, 132, 165
500	1800	460 PWS	B509TP24	45,304	V955	5KS509DAJ6030	\$115,060	2 3/16	1/2	G6-7VHS	N	110, 114, 132, 156, 165
600	1800	460 PWS	B511TP24	26,976	V957	5KS511DAJ6032	\$123,404	2 3/16	1/2	G6-7VHS	Y	110, 114, 132, 169
600	1800	460 PWS	B511TP30	26,976	V917	5KS511DAJ6028	\$123,404	2 3/16	1/2	G6-7VHS	N	110, 114, 132
600	1800	460 PWS	L511TP24	44,796	V958	5KS511DAJ6023	\$129,013	2 3/16	1/2	G6-7VHS	N	110, 114, 132, 156, 169
700	1800	460	B513TP24	26,976	V972	5KS513DAJ6021	\$136,882	2 3/16	1/2	G6-7VHS	N	114, 132, 169
700	1800	460 PWS	B513TP24	44,796	V973	5KS513DAJ6026	\$139,620	2 3/16	1/2	G6-7VHS	N	114, 132, 156, 169
800	1800	460 PWS	B513TP24	44,796	V974	5KS513DAJ6027	\$141,015	2 3/16	1/2	G6-7VHS	N	114, 132, 156, 169
800	1800	460 PWS	B513TP30	44,796	V975	5KS513DAJ6028	\$141,015	2 3/16	1/2	G6-7VHS	N	114, 132, 156, 169
900	1800	2300/4000	B513TP24	44,796	V976	5KS513DAJ6029	\$146,659	2 3/16	1/2	G6-7VHS	N	114, 132, 156, 165
900	1800	2300/4000	B513TP30	44,796	V977	5KS513DAJ6030	\$146,659	2 3/16	1/2	G6-7VHS	N	114, 132, 156, 165
1000	1800	2300/4000	B513TP30	44,796	V978	5KS513DAJ6031	\$149,235	2 3/16	1/2	G6-7VHS	N	114, 132, 156, 165
1250	1800	2300/4000	B585TP30	50,000	V501	5KS585DAJ6020	Call ISR	Not Included		G6-7VHS	N	114, 132, 156
1250	1800	2300/4000	B585TP36	50,000	V504	5KS585DAJ6023	Call ISR	Not Included		G6-7VHS	N	114, 132, 156
1500	1800	2300/4000	B585TP30	50,000	V502	5KS585DAJ6021	Call ISR	Not Included		G6-7VHS	N	114, 132, 156
1500	1800	2300/4000	B585TP36	50,000	V505	5KS585DAJ6024	Call ISR	Not Included		G6-7VHS	N	114, 132, 156
1750	1800	2300/4000	B585TP30	50,000	V503	5KS585DAJ6022	Call ISR	Not Included		G6-7VHS	N	114, 132, 156
1750	1800	2300/4000	B585TP36	50,000	V506	5KS585DAJ6025	Call ISR	Not Included		G6-7VHS	N	114, 132, 156

The motor list price includes "Standard" sized NRR and SRC. Additional sizes are available at additional cost.

Notes:

- 110 Usable on 380 volts, 50 Hz at 1.0 Service Factor and derated to next lower HP
- 111 Usable on 190/380 volts, 50 Hz at 1.0 Service Factor and derated to next lower HP
- 114 Insulated Upper Bearing Carrier and Aegis Shaft Grounding ring on bearing cap (125HP and greater)
- 132 Includes NC Winding Thermostats
- 156 With Spherical Roller Bearing water cooling required
- 164 1260 cubic inch conduit box
- 165 2500 cubic inch conduit box 2-4" NPT
- 168 2500 cubic inch conduit box 2-3" NPT
- 169 5700 cubic inch conduit box
- 176 Formed Coil Epoxy VPI

Accessories

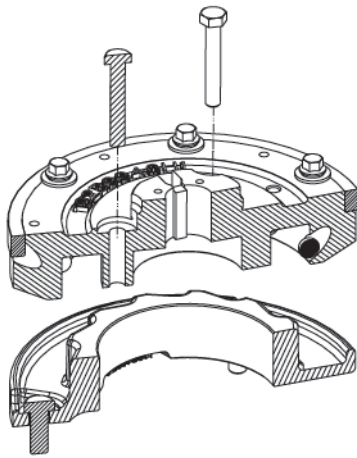
213 - 5813 Frame

Ultra and Ultra+ Couplings 5 - 600 HP

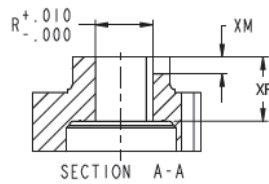
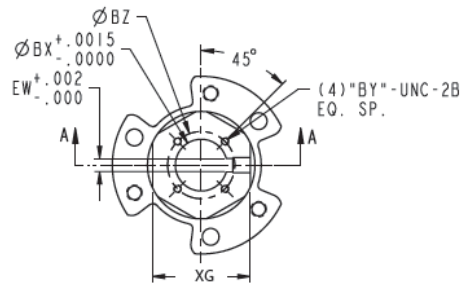
Frame	Ball Type Non-Reverse Ratchet Cat. No.	Part No.	Self-Release and Bolted Part No.	List Price	Price Symbol	BX	Keyway Depth	Keyway Width	XG	BY	BZ	XM	XR
213/215	Y8804	192B9950EX-G04	4002B5521AB-G04	\$761	G6-7KITS	0.751	0.090	0.189	2.435	# 10-32	1.375	0.438	1.250
	Y8803	192B9950EX-G03	4002B5521AB-G03	\$761	G6-7KITS	0.876	0.125	0.250					
	Y8802	192B9950EX-G02	4002B5521AB-G02	\$761	G6-7KITS	0.939							
	Y8801	192B9950EX-G01	4002B5521AB-G01	\$761	G6-7KITS	1.001							
	Y8805	192B9950EX-G05	N/A	\$761	G6-7KITS	1.032							
254/256/ 284/286	Y8813	192B9950EZ-G08	4002B5525AB-G05	\$888	G6-7KITS	0.751	0.091	0.189	2.435	# 10-32	1.375	0.438	1.125
	Y8812	192B9950EZ-G07	4002B5525AB-G04	\$888	G6-7KITS	0.876	0.125	0.250					
	Y8811	192B9950EZ-G06	N/A	\$888	G6-7KITS	0.939							
	Y8810	192B9950EZ-G05	4002B5525AB-G03	\$888	G6-7KITS	1.001							
	Y8814	192B9950EZ-G09	N/A	\$888	G6-7KITS	1.032							
	Y8808	192B9950EZ-G03	N/A	\$888	G6-7KITS	1.066	0.188	0.375					
	Y8809	192B9950EZ-G04	N/A	\$888	G6-7KITS	1.126							
	Y8807	192B9950EZ-G02	4002B5525AB-G02	\$888	G6-7KITS	1.189							
	Y8806	192B9950EZ-G01	4002B5525AB-G01	\$888	G6-7KITS	1.251							
	Y8815	192B9950EZ-G10	4002B5525AB-G07	\$888	G6-7KITS	1.251							

Frame Size	Cat. No.	Part No.	List Price	Price Symbol	Dimension in Inches														
					BX	Depth	EW	XG	BY	BZ	XM	XR							
324/326	Y8730	192B9950FA-G21	\$913	G6-7KITS	1.001	0.118	0.250	3.243	1/4- 20 UNC	1.375	0.438	1.913							
	Y8731	192B9950FA-G22	\$913	G6-7KITS	1.188	0.133													
	Y8732	192B9950FA-G23	\$913	G6-7KITS	1.251					0.169			1.750						
	Y8733	192B9950FA-G24	\$913	G6-7KITS	1.251								0.172	2.125					
	Y8734	192B9950FA-G25	\$913	G6-7KITS	1.438									0.375	2.125				
	Y8735	192B9950FA-G26	\$913	G6-7KITS	1.501										2.125				
364/365	Y8730	192B9950FA-G21	\$913	G6-7KITS	1.001	0.118	0.250	3.243	1/4- 20 UNC	1.375	0.438	1.913							
	Y8731	192B9950FA-G22	\$913	G6-7KITS	1.188	0.133													
	Y8732	192B9950FA-G23	\$913	G6-7KITS	1.251					0.169			1.750						
	Y8733	192B9950FA-G24	\$913	G6-7KITS	1.251								0.172	2.125					
	Y8734	192B9950FA-G25	\$913	G6-7KITS	1.438									0.375	2.125				
	Y8735	192B9950FA-G26	\$913	G6-7KITS	1.501										2.125				
404/405	Y8741	192B9950FC-G21	\$1,015	G6-7KITS	1.188	0.121	0.250	3.250	1/4- 20 UNC	1.750	0.562	2.413							
	Y8742	192B9950FC-G22	\$1,015	G6-7KITS	1.251														
	Y8743	192B9950FC-G23	\$1,015	G6-7KITS	1.251					0.172			2.125						
	Y8744	192B9950FC-G24	\$1,015	G6-7KITS	1.438								0.176	2.500					
	Y8745	192B9950FC-G25	\$1,015	G6-7KITS	1.501									0.375	2.125				
	Y8746	192B9950FC-G26	\$1,015	G6-7KITS	1.688										0.500	2.125			
Y8747	192B9950FC-G27	\$1,015	G6-7KITS	1.751	2.500														
444/445 and 447/449	Y8655	192B9950EG-G02	\$1,522	G6-7KITS	1.501	0.180	0.375	4.750	1/4- 20 UNC	2.125	0.812	3.112							
	Y8656	192B9950EG-G03	\$1,522	G6-7KITS	1.688														
	Y8658	192B9950EG-G05	\$1,522	G6-7KITS	1.813					0.230			2.500						
	Y8659	192B9950EG-G06	\$1,522	G6-7KITS	1.938								0.500	3.250					
	Y8662	192B9950EG-G09	\$1,522	G6-7KITS	2.126									3/8- 16 UNC	3.250				
	Y8651	192B9950EG-G10	\$1,522	G6-7KITS	2.188										0.812	3.250			
Y8665	192B9950EG-G12	\$1,522	G6-7KITS	2.376	3.250														
509/511/ 513	Y8826	192B9950FF-G02	\$4,186	G6-7KITS	1.501	0.188	0.375	4.750	.250- 20 UNC	2.125	0.562	4.165							
	Y8827	192B9950FF-G03	\$4,186	G6-7KITS	1.688														
	Y8828	192B9950FF-G04	\$4,186	G6-7KITS	1.751					0.250			0.500	2.500					
	Y8829	192B9950FF-G05	\$4,186	G6-7KITS	1.813									0.688					
	Y8830	192B9950FF-G06	\$4,186	G6-7KITS	1.938										.375- 16 UNC				
	Y8831	192B9950FF-G07	\$4,186	G6-7KITS	2.001											3.750			
	Y8832	192B9950FF-G08	\$4,186	G6-7KITS	2.188												0.812		
	Y8833	192B9950FF-G09	\$4,186	G6-7KITS	2.251														
	Y8834	192B9950FF-G10	\$4,186	G6-7KITS	2.438														
	Y8835	192B9950FF-G11	\$4,186	G6-7KITS	2.501														
	Y8836	192B9950FF-G12	\$4,186	G6-7KITS	2.626													0.313	0.625
	Y8837	192B9950FF-G13	\$4,186	G6-7KITS	2.688														
	Y8838	192B9950FF-G14	\$4,186	G6-7KITS	2.751														

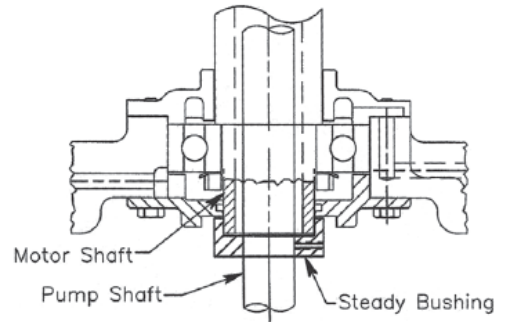
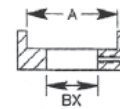
320-500 Frame - "Standard" non-reverse coupling shipped with motor. For other sizes order from above list.



213 - 286 Frame NRR
Ratchet and Coupling



324 - 5011 Frame
Coupling

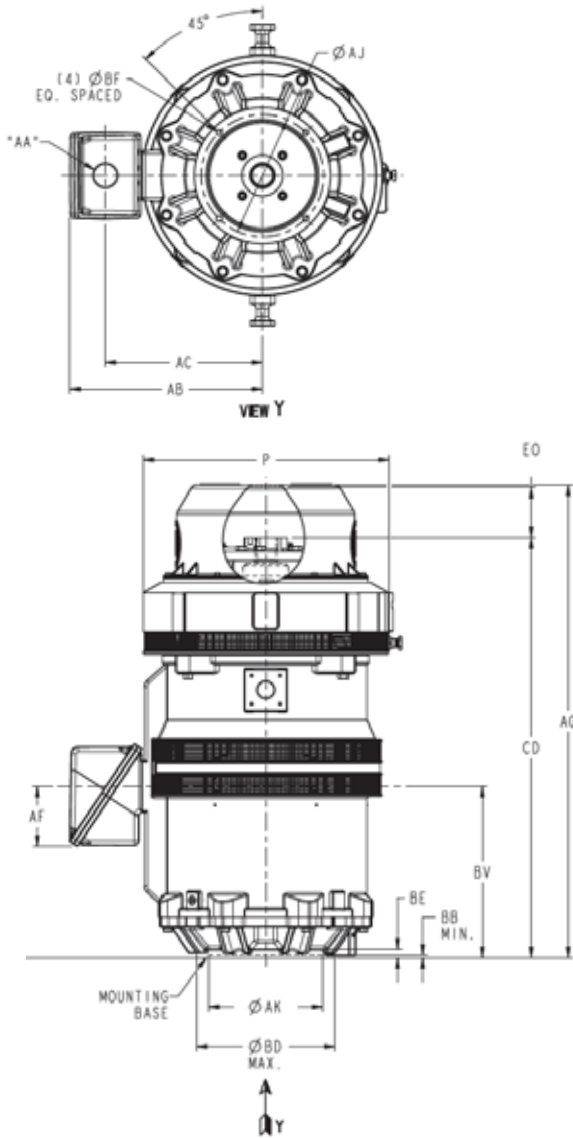


**Ultra and Ultra+ WPI / TEFC VHS Stabilizer Bushings
5 - 400 HP**

Frame Size	Cat. No.	Part Number	List Price	Price Symbol	Dimensions in Inches	
					BX	A
210	Y8414	4001A5521AA-G01	\$304	G6-7KITS	1.001	1.573
250	Y8415	4001A5525AA-G03	\$304	G6-7KITS	1.001	1.767
	Y8416	4001A5525AA-G02	\$304	G6-7KITS	1.188	
280	Y8417	4001A5525AA-G01	\$304	G6-7KITS	1.251	1.964
	Y8418	4001A5528AA-G03	\$304	G6-7KITS	1.001	
	Y8419	4001A5528AA-G02	\$304	G6-7KITS	1.188	
320/360	Y8420	4001A5528AA-G01	\$304	G6-7KITS	1.251	2.266
	Y8470	249A4245AD-G05	\$355	G6-7KITS	1.001	
	Y8421	249A4245AD-G04	\$355	G6-7KITS	1.188	
	Y8422	249A4245AD-G03	\$355	G6-7KITS	1.250	
	Y8423	249A4245AD-G02	\$355	G6-7KITS	1.438	
400	Y8424	249A4245AD-G01	\$355	G6-7KITS	1.501	2.7827
	Y8471	249A4245AE-G06	\$457	G6-7KITS	1.189	
	Y8472	249A4245AE-G05	\$457	G6-7KITS	1.250	
	Y8426	249A4245AE-G03	\$457	G6-7KITS	1.501	
440	Y8473	249A4245AE-G02	\$457	G6-7KITS	1.688	3.000
	Y8474	249A4245BJ-G01	\$660	G6-7KITS	1.501	
	Y8475	249A4245BJ-G02	\$660	G6-7KITS	1.688	
	Y8476	249A4245BJ-G05	\$660	G6-7KITS	1.938	
	Y8477	249A4245BJ-G09	\$660	G6-7KITS	2.188	

Dimensions

213 - 5813 Frame



Frame Dimensions

Frame	Dimensions in Inches									
	BD	P	AG	CD	AJ	AK	BE	BF	BV	EO Min
210	10.0	14.76	22.44	18.88	9.13	8.25	0.77	0.44	8.59	2.75
250	10.0	17.20	26.75	23.38	9.13	8.25	0.77	0.44	10.75	3.18
	12.0				9.13	8.25		0.44		
	16.5				14.75	13.50		0.69		
280	10.0	19.32	28.21	24.75	9.13	8.25	0.93	0.44	12.00	3.00
	12.0				9.13	8.25		0.44		
	16.5				14.75	13.50		0.69		
320	12.0	19.50	32.58	28.22	9.13	8.25	0.88	0.44	15.79	4.00
	16.5				14.75	13.50		0.69		
	12.0				9.13	8.25		0.88		
360	12.0	21.70	35.47	31.16	9.13	8.25	0.88	0.44	17.53	4.00
	16.5				14.75	13.50		0.69		
400	16.5	24.50	41.97	36.94	14.75	13.50	1.06	0.69	20.93	4.70
444/ 445	16.5	29.00	51.00	44.78	14.75	13.50	0.99	0.69	17.80	5.00
	20.0									
	24.5									
447/ 449	16.5	29.00	56.00	49.78	14.75	13.50	0.99	0.69	20.30	5.00
	20.0									
	24.5									
509	20.0	36.45	63.45	57.06	14.75	13.50	1.40	0.69	23.49	6.08
	24.5				14.75	13.50		0.69		
	30.5				26.00	22.00		0.81		
5011	20.0	36.45	71.45	65.06	14.75	13.50	1.40	0.69	27.49	6.08
	24.5				14.75	13.50		0.69		
	30.5				26.00	22.00		0.81		
5013	20.0	36.45	80.45	74.06	14.75	13.50	1.40	0.69	31.99	6.08
	24.5				14.75	13.50		0.69		
	30.5				26.00	22.00		0.81		
5813	30.5	50.90	100.80	89.70	26.00	22.00	2.30	0.81	56.13	11.00
	36.0				32.00	26.00		1.00		

Conduit Box Dimensions

Frame	CBOX Size (ci)	AA	Dimensions in Inches				
			AB	AC	AF	XL	XN
210	55	1" - NPT	9.41	7.30	3.50	5.79	4.16
250	137	1-1/4" - NPT	12.15	9.12	4.59	7.37	5.20
280	137	1-1/2" - 11.5 NPT	12.79	9.76	4.59	7.37	5.20
	346	2 - 11.5 NPT	14.06	10.40	6.44	10.11	7.00
320	346	3" - 8 NPT	16.77	13.07	6.44	10.15	7.00
360	346	3" - 8 NPT	17.77	14.07	6.44	10.15	7.00
	700	3" - 8 NPT	20.51	16.25	7.00	12.13	10.50
400	700	3" - 8 NPT	21.20	16.94	7.00	12.13	10.50
440	700	3" - 8 NPT	23.17	18.91	7.00	12.13	10.50
	1260	(2) 4" - 8 NPT	23.67	18.91	7.00	12.39	16.25
	2500	(2) 4" - 8 NPT	25.31	19.85	7.69	14.08	27.25
500	2500	(2) 3" - 8 NPT	31.45	25.99	14.20	23.95	14.50
	2500	(2) 4" - 8 NPT	31.27	25.80	14.20	23.95	14.50
	5700	(3) 3" - 8 NPT	35.30	27.80	10.87	23.24	22.25
580	5700	(2) 4" - 8 NPT	35.40	27.90	10.30	23.24	22.25
	12500	(2) 4" - 8 NPT	40.80	32.00	16.00	28.10	28.74

www.wolongamerica.com

GE is a trademark of General Electric Company. Manufactured under trademark license.
 Aegis is a trademark of Electro Static Technology, an ITW Company
 Ultra, Ultra+, and GEGARD are trademarks of Wolong Electric America LLC.
 ©2023, Wolong Electric America LLC. All rights reserved
 NEMA Premium is a trademark of NEMA.
 GMS32027 (9/2023)