

APPLICATION INFORMATION

Load Type

VT: Variable Torque CHP: Constant Horse Power

CT: Constant Torque Other: _____

Attach Speed Torque Curve if available: _____

Load Inertia

_____ lb-ft² at the motor shaft

Load Connection

Direct Drive Belt Drive (Complete Data Sheet)

Shaft Type*

Vertical Solid Shaft Vertical Hollow Shaft

Thrust Class*

Normal Inline High

Extra High (indicate % below)

Thrust Load (lbs)

Max. Continuous downthrust _____

Max. Momentary upthrust _____

Max. Continuous upthrust _____

Min. Operating downthrust _____

P-Base Diameter*

_____ inches

Top Coupling

Non-reverse Self-release

Bolted None

Bore (BX) _____ inches

Keyway (EW) _____ inches

CD Height _____ inches

ACCESSORIES

Bearing Protection

Thrust Brg. Only All Brgs

RTD _____ Ohms

Thermocouple type _____ Rev 3.0 12/04/2023

Insulate Bearing

Shaft Grouding Ring (lower bearing only)

Yes No

Stabilizer (steady) Bushing (VHS only)

Yes No

Winding Protection

RTD _____ Ohms

Quantity _____

Thermocouple Type _____

Quantity _____

Thermistor Relay Voltage _____ Volts

Quantity _____

Thermostat Normally Open Normally Closed

Quantity _____

Space Heater

Standard Thermostatically Controlled

Relay Voltage _____

Additional Nameplate Requirements

Specify: _____

Paint

Epoxy Modified Polyester

3-part Carboline

Polyurethane

Other: _____

Standard Color

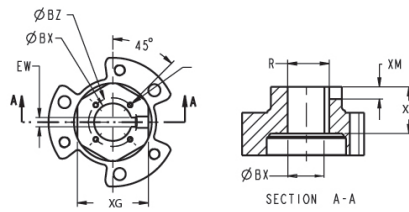
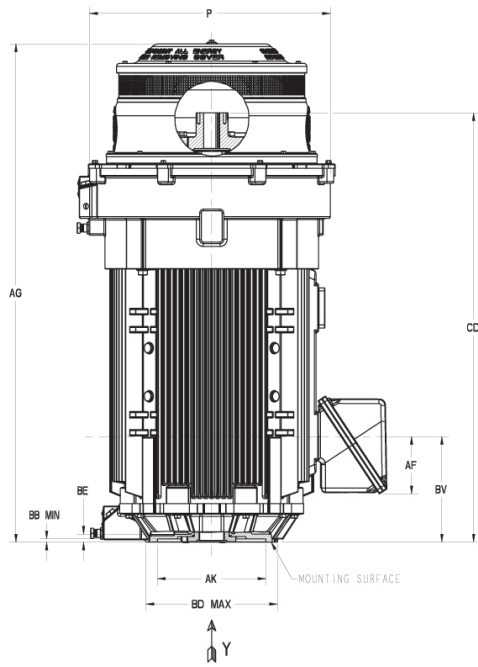
Special Color

Color: _____

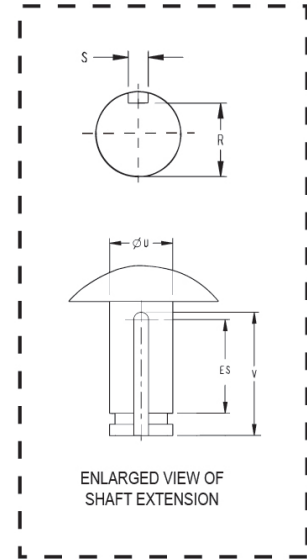
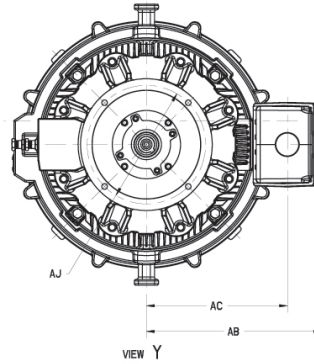
Additional Features, Modifications or Special Comments

Application Motor Dimensions

Hollow and Solid Shaft motors



ENLARGED VIEW OF COUPLING



ENLARGED VIEW OF SHAFT EXTENSION

Hollow Shaft Motor

Solid Shaft Motor

Dimension	Measurement
P	
AG	
BE	
BB MIN	
AK	
BD MAX	
AF	
BV	
CD	
EW	
XG	
BX	
XM	
XR	
AJ	
AC	
AB	

Dimension	Measurement
P	
AG	
BE	
BB MIN	
AK	
BD MAX	
AF	
BV	
CD	
AJ	
AC	
AB	
V	
ES	
U	
S	
R	

Please send completed Application Form to contact@wolongamerica.com or your assigned inside sales representative.

+1(888) 525-2915 www.wolongamerica.com